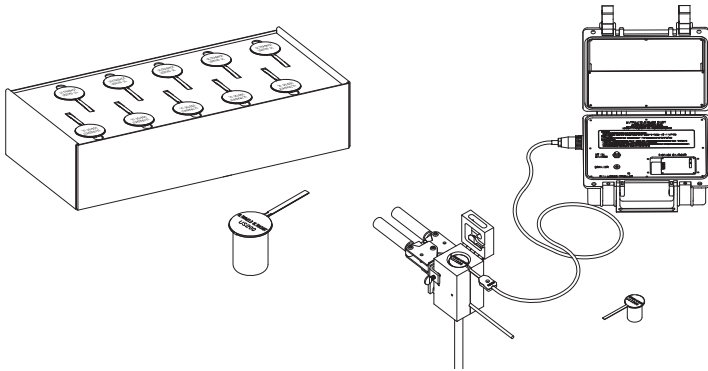


**Materials, Tools & Accessories**

**Weld Metal**

**UltraShot®**

- The weld metal, a mixture of copper oxide and aluminum, is packaged in individual, moisture resistant copper drop-ins.
- The copper drop-in is consumed during the reaction process.
- Each drop-in is marked with the size.
- The drop-ins are packaged in a box containing either 5 units per box (4 boxes per case), 10 units per box (5 boxes per case) or 20 units per box (10 boxes per case).

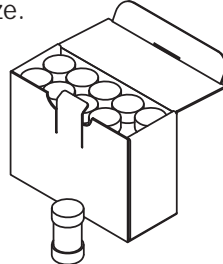


**UltraShot® (Drop-In)Weld Metal**

Size	Qty. Per Carton	Size	Qty. Per Carton
US25	20	US200	10
US32	20	US250	10
US45	20	US300	10
US65	20	US400	5
US90	10	US500	5
US115	10	US600	5
US150	10	US750	5

**NUWTube®**

- The weld metal, a mixture of copper oxide and aluminum, is packaged in individual, moisture resistant plastic tubes.
- Dual chamber design holds starting material and weld metal separately, in the same tube.
- Easy to identify with color coded caps. Clear = Weld Metal, Orange = Starting Material.
- Each cartridge is marked with the size.
- Each box also contains instructions and metal disks. One metal disk is used for each connection.

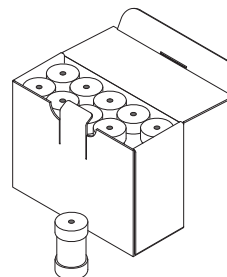


**NUWTube® (Pour & Shoot) Weld Metal**

Size	Qty. Per Carton	Size	Qty. Per Carton
NUWTUBE15	20	NUWTUBE90	10
NUWTUBE25	20	NUWTUBE115	10
NUWTUBE32	20	NUWTUBE150	10
NUWTUBE45	20	NUWTUBE200	10
NUWTUBE65	20	NUWTUBE250	10

**Cast Iron NUWTube®**

- For use on ductile iron surfaces.
- Dual chamber design holds starting material and weld metal separately, in the same tube.
- "Red Dot" on cap designates the starting material side.
- Each cartridge is marked with the size.
- Each box also contains instructions and metal disks. One metal disk is used for each connection.



**Cast Iron NUWTube® Weld Metal**

Size	Qty. Per Carton
NUWTUBE25CI	20
NUWTUBE32CI	20
NUWTUBE45CI	20
NUWTUBE65CI	20
NUWTUBE90CI	10
NUWTUBE115CI	10

Section 5  
Ultraweld® Exothermic Connections