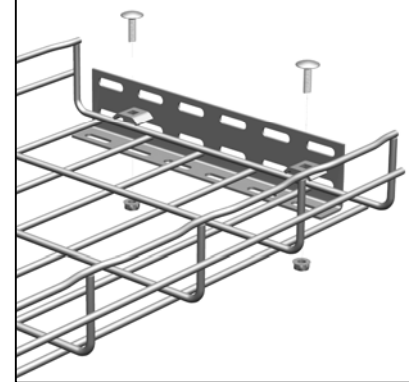
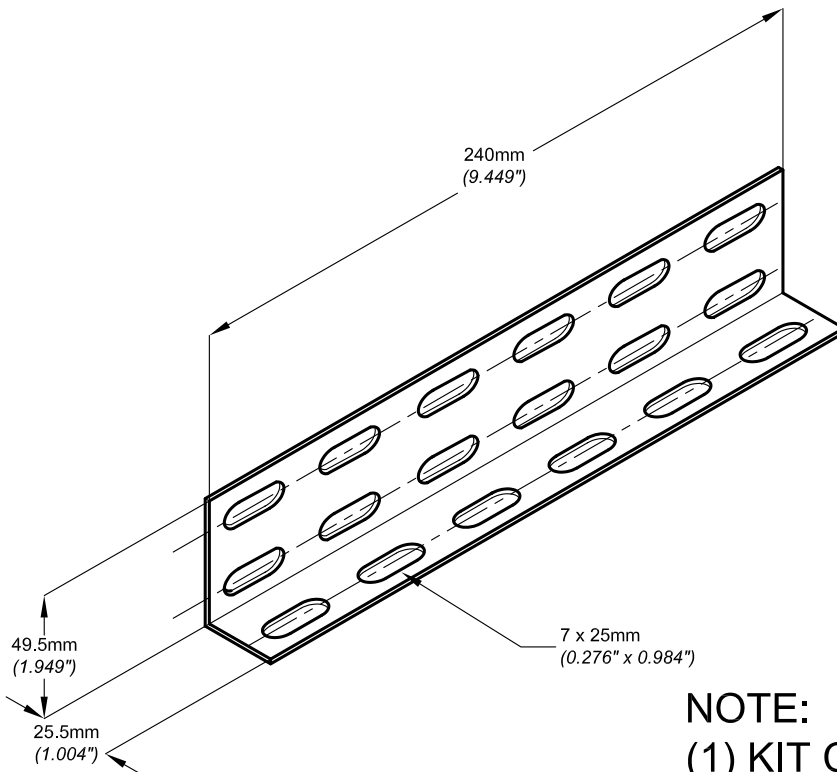
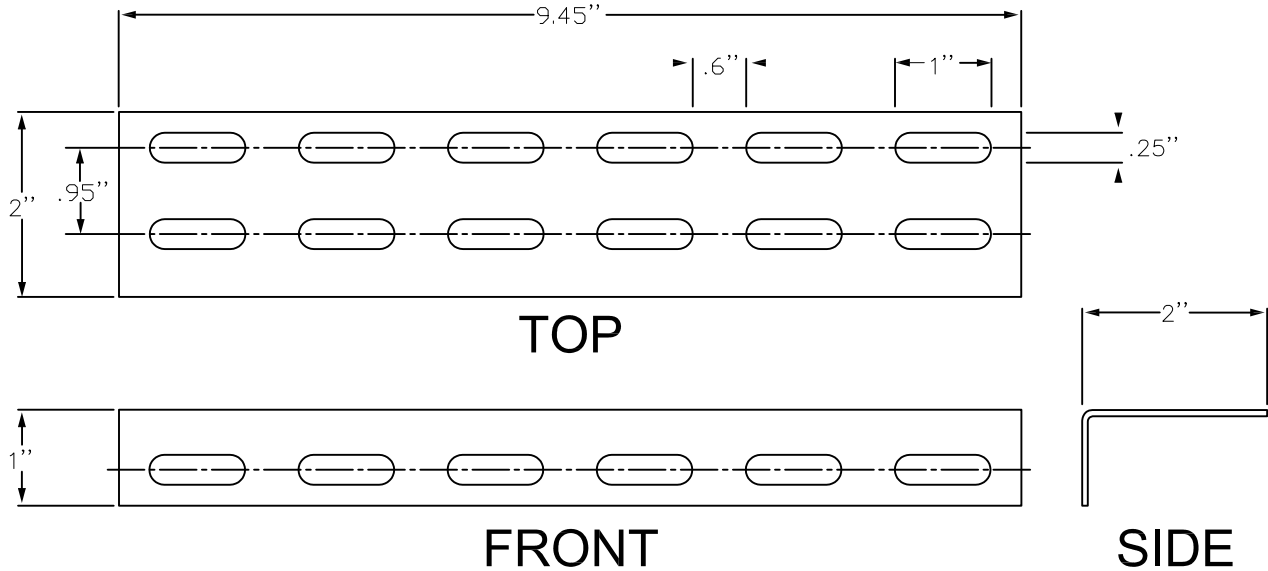


HB2KIT WALL TERMINATION BRKT

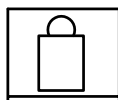
CABLOFIL®

INNOVATORS IN CABLE MANAGEMENT

8319 State Route 4
 Mascoutah IL 62258
 Phone: 800-658-4641
 618-566-3230
 Fax: 618-566-3250
 www.cablofil.com



NOTE:
 (1) KIT CONTAINS (1) HB2, (2)EZBN 1/4 AND (2)CE25.



HB2KIT	0.441	PG	GC	316L	BL	PE
--------	-------	----	----	------	----	----

