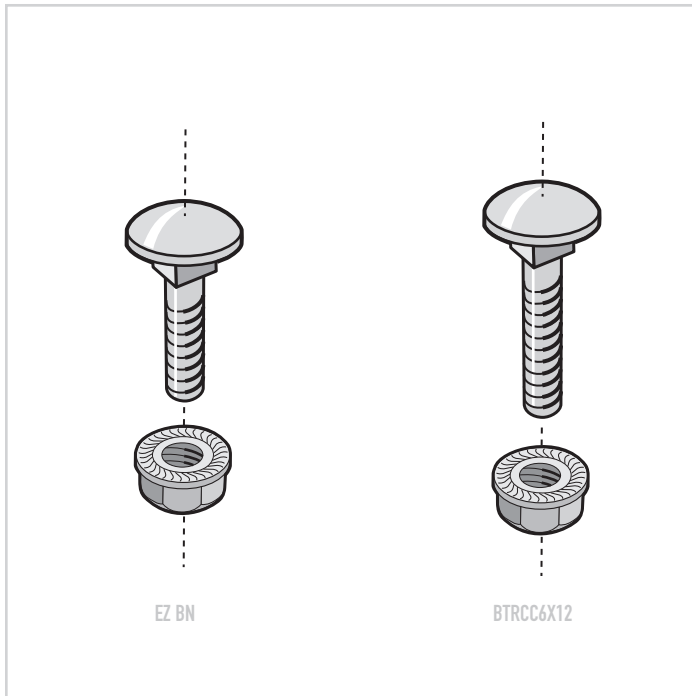


EZ BN / BTRCC6X12

BOLT WITH NUT



| | PKG. QTY. | WEIGHT | | EZ | GC | DC | 316L | BL |
|------------|-----------|--------|-----|---------|---------|---------|---------|---------|
| | | LBS | KG | | | | | |
| EZ BN 1/4 | 50 | 1.3 | 0.6 | 941 084 | 942 724 | 943 458 | 941 059 | 942 308 |
| EZ BN 5/16 | 50 | 2.0 | 0.9 | 942 778 | — | — | 942 779 | 942 780 |
| BTRCC6X12 | 100 | 2.6 | 1.3 | 801 001 | — | — | — | — |

| | MATERIAL | FINISH & STANDARD |
|-------------|---|---|
| EZ | Carbon Steel ASTM A510 Grade 1008 | Electrozinc: Electrozinc plating ASTM B 633 |
| GC | Carbon Steel ASTM A510 Grade 1008 | Hot Dipped Galvanized: After Fabrication ASTM A 123 |
| DC | Carbon Steel ASTM A510 Grade 1008 | Geomet: Zinc and Aluminum Protection / Equivalent to Hot Dip Galvanization / ASTM F 1136 |
| 316L | Stainless Steel AISI Type 316L | Stainless Steel 316L: Cleaned and Passivated ASTM A 380 |
| BL | Carbon Steel ASTM A510 Grade 1008 | Black Painted: Black Powder Coated ASTM D 3451 |

Legrand
 8319 State Route 4
 Mascoutah, IL 62258 USA
 800-658-4641
 618-566-3230
 Fax 618-566-3250
www.legrand.us/cablofil