

Aesthetically Pleasing Vertical Solution

Vista™ Architectural Columns provide the wiring capabilities you need without compromising the aesthetics of your interior decor. Choose from a variety of profiles, panel options, color, and texture combinations to create the wiring solution to complement your environment.

Vista Architectural Columns offer the large capacity necessary to feed numerous workstations or supply a large area's power, communication, or audio/video requirements. The patented column design provides multiple feed options for wire and cable – including through the center channel, through either end channel, or through combinations of both!

We offer several standard Vista columns to meet the needs of most projects. However Vista can also be completely customized.

Our online design tool makes exploring the range of design options easy and intuitive. Visit www.legrand.us/vista to learn more.



Vista Architectural Column supporting digital signage.

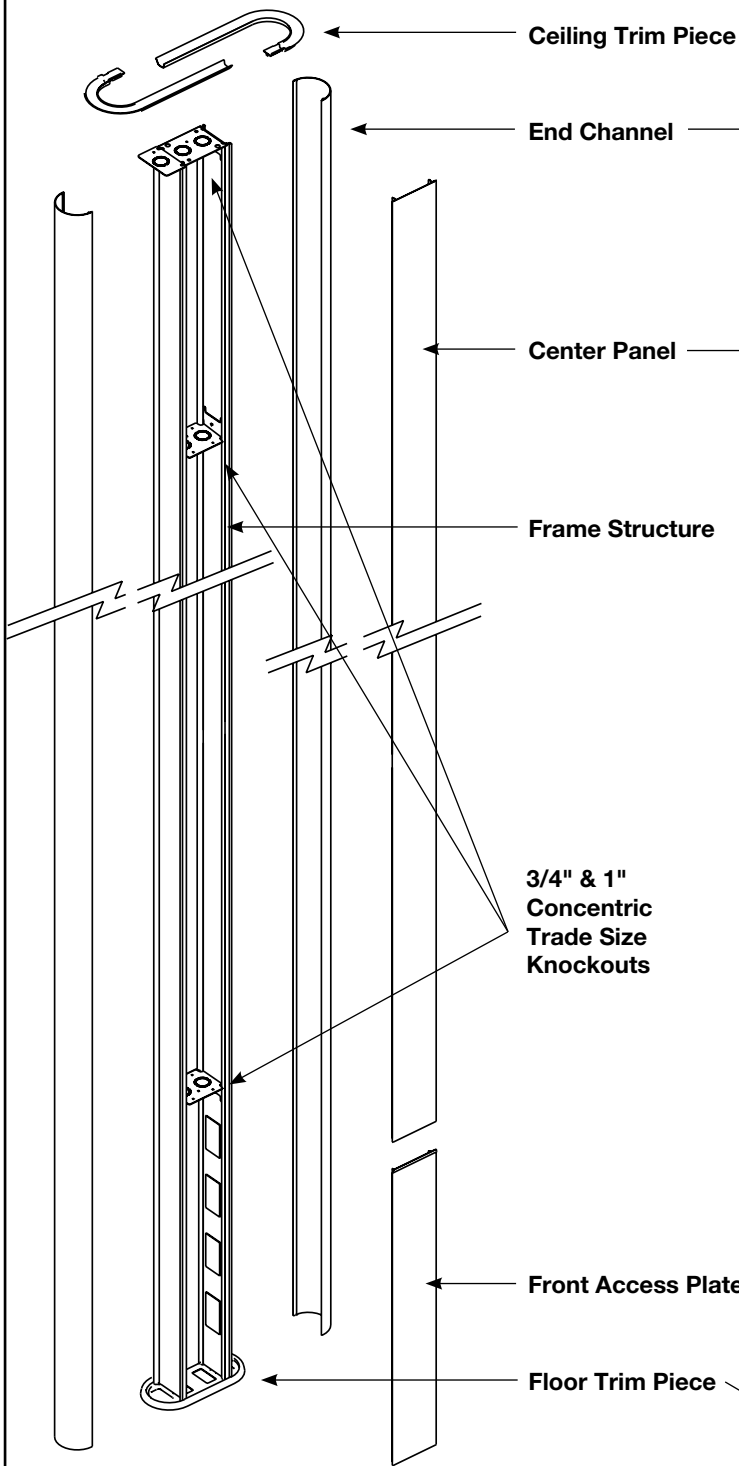
FEATURES & BENEFITS

- **Flexibility.** Choose from a range of center panels, extensions, and frames to accommodate your aesthetic and capacity requirements.
- **Frame shapes.** Select either square or rounded end channels to enhance any interior.
- **Wide range of finishes.** Center panels are available in stylish finishes and color options in metal, wood laminates, glass, or fabrics designed to enhance any decor.
- **Device compatibility.** Compatible with a wide range of standard power and communications devices.
- **A/V compatibility.** Accepts Extron® Electronics, Crestron® and Ortronics® audio/video devices.
- **Furniture feed options.** Modular furniture feeds are available at the beltline and ground level.
- **In stock availability.** Standard, anodized aluminum frame in both sizes, with round end channels.
- **Paneled extension.** Extension kit accommodates many ceiling heights and comes with a center panel.
- **Online design tool.** Visit www.legrand.us/vista to design your own Vista Architectural Column.
- **cULus Listed Multioutlet Assemblies.** File E15191, Guide PVGT. Meets Article 380 of NEC.



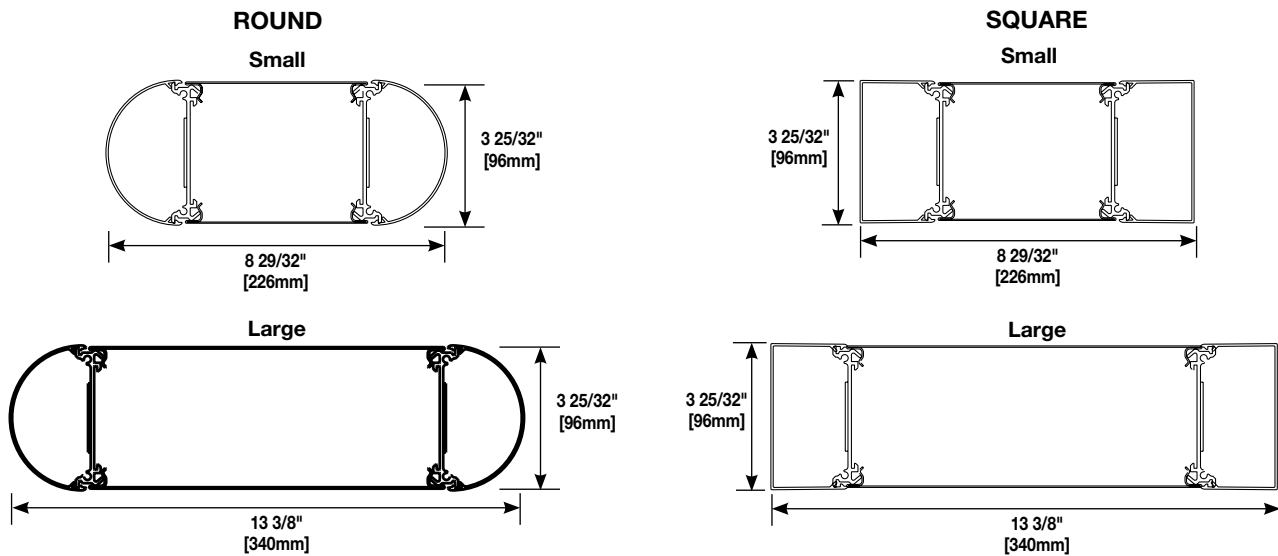
Vista Architectural Columns enhance any decor and provide maximum flexibility for any workplace environment.

Vista Architectural Column System Layout



Design your own
Vista Architectural Column
online at
www.wiremold.com/vista

Vista Architectural Column Overall Dimensions



Vista Architectural Column Wire Fill Capacity for Communication

	CABLE/WIRE SIZE	O.D.		ONE SQUARE END CHANNEL	ONE ROUND END CHANNEL	SMALL CENTER	LARGE CENTER	ONE SQUARE EXTENSION	ONE ROUND EXTENSION
		Inches	[mm]						
UNSHIELDED TWISTED PAIR	Cat 3, 2-pair, 24 AWG	0.140	[3.6]	190	150	40	80	131	94
	Cat 3, 3-pair, 24 AWG	0.150	[3.8]	165	131	34	68	114	82
	Cat 3, 4-pair, 24 AWG	0.190	[4.8]	103	81	22	44	71	51
	Cat 3, 25-pair, 24 AWG	0.410	[10.4]	22	17	4	8	15	11
	Cat 5e, 4-pair, 24 AWG	0.220	[5.6]	77	61	16	32	53	38
	Cat 6, 4-pair, 24 AWG	0.250	[6.3]	59	47	12	24	41	29
SHIELDED TWISTED PAIR	Type1 22 AWG	0.390	[9.9]	24	19	4	8	16	12
	Type 2, 22 AWG	0.465	[11.8]	17	13	2	4	11	8
	Type 3, 24 AWG	0.245	[6.2]	62	49	12	24	42	30
COAXIAL	RG58/U, 20 AWG	0.195	[5.0]	98	77	20	40	67	48
	RG58/U, 22 AWG	0.242	[6.1]	63	50	12	24	43	31
	RG6/U, 22 AWG	0.242	[6.1]	63	50	12	24	43	31
	RG6/U, 18 AWG	0.270	[6.9]	51	40	10	20	25	25
TWINAXIAL	100 Ohm	0.330	[8.4]	34	27	60	12	23	71
FIBER OPTIC		0.180	[4.6]	103	81	22	44	71	51

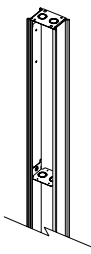
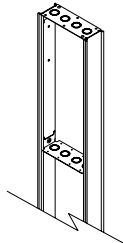
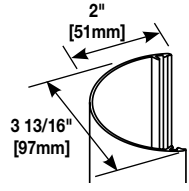
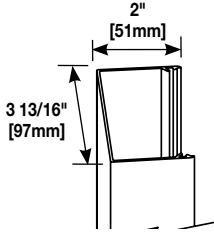
* Capacity range is calculated at 40% of raceway area as stated in a proposed revisions to the Commercial Building Standard for Telecommunication Pathways & Spaces, EIA/TIA-569. Actual wire fill capacity may vary based on applications, cable types, and number, as well as type of fittings.
 (Fittings may cause additional variances to the fill capacity.)

Vista Architectural Column Wire Fill Capacity for Power

Capacity of Compartment	WIRE SIZE THHN/THWN				
	6 AWG	8 AWG	10 AWG	12 AWG	14 AWG
One End Channel Round or Square	7	9	16	26	35
Center (Small)	14	18	32	52	70
Center (Large)	28	36	64	104	140
One Extension Round or Square	4	6	10	16	22

There are four primary components of a Vista column. These are:


- **Frame** – This comprises the primary Vista “body” and forms the outer edge and bottom portion of the column. Frames are available in both large and small sizes, as well as many different color options (shown on page 6). These colors are suggestions only. Almost any paint color can be matched if a chip is provided.
- **Panel** – This is the center area shown on the front and back of the Vista. Panels are also available in many colors and can be made of materials such as metal laminate, glass, or even fabric. Finish and material options for panels are shown on page 7. Again, these are suggested finishes only.
- **End Channel** – Vista columns are available with either round or square end channels. Round end channels are indicated by “66” and square by “77” in the part number.
- **Device Plates** – The Vista line includes device plates to enable power, communications, and AV connections. Device plate information begins on page 8. In addition, 2’ Extension Kits are available to attach to the top of a Vista column for higher ceiling heights. These can be found on page 5.

Vista Architectural Column Frame Options	
Item	Description/Specifications
Small Frame 	6000 Series, tempered aluminum with heavy gauge steel cross supports with two (2) 3/4" and 1" concentric trade size KOs. Accepts 4 3/4" [121mm] wide center panel.
Large Frame 	6000 Series, tempered aluminum with heavy gauge steel cross supports with four (4) 3/4" and 1" concentric trade size KOs. Accepts 9 1/4" [235mm] wide center panel.
Round End Channel 	6000 Series, tempered aluminum. Satin anodized finish or painted. Channel snaps onto frame.
Square End Channel 	6000 Series, tempered aluminum. Satin anodized finish or painted. Channel snaps onto frame.

Height accommodates maximum 10' [3m] ceiling, see page 5 for Extension Kit.




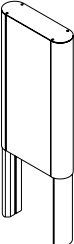


Vista architectural columns offer complete customization – from panel finishes and end channel shapes to device plates and colors. The following pages provide details on how to select and specify a completely custom Vista column. You can also visit www.legrand.us/vista to configure a Vista column and submit a custom request.

However, we also offer several in-stock Vista columns. These are featured on the following page and are always available to ship immediately.

Vista Architectural Column Part Configuration	
For a full color view of the Vista Architectural Column, check out www.legrand.us/vista .	
Configuration Example: The product shown at the right is made of the following components:	
Frame Large Frame with Square Anodized Aluminum End Channels Catalog Number: VFL772345FFZZP	
Center Panel Large Wood Grain Laminate Panel Catalog Number: VPLA34410	
Extension Kit (Optional) Large Square Anodized Aluminum End Channels with Mahogany Wood Laminate Panels and 24" [610mm] extension. Catalog Number: VEL772345441024	
All solutions include a furniture feed plate.	

* Refer to the list of colors on this page for the four-digit code number. Add the code number to the end of the Catalog Number.
 * Add “C” prefix to catalog number to denote Canadian version – Agency approved for sale in Canada. ..®

Vista Architectural Column In-Stock Columns

Catalog No./Item	Description/Specifications	Catalog No./Item	Description/Specifications
VS662345 	In-Stock Vista Column – Small profile frame, round end channels, anodized aluminum finish. Accepts all adapters. Two 20A duplex receptacles located 27" [686mm] above floor. Includes one VSFF plate at bottom back side of pole. Dimensions: 10'6" x 8 29/32" x 3 25/32" [3.2m x 276mm x 96mm].	VL662345FF 	In-Stock Vista Column – Large profile frame, round end channels, anodized aluminum finish. Furniture feed. Includes one VLFF plate at bottom back side of pole. Dimensions: 10'6" x 13 3/8" x 3 25/32" [3.2 m x 340mm x 96mm].
VL662345 	In-Stock Vista Column – Large profile frame, round end channels, anodized aluminum finish. Accepts all adapters. Three 20A duplex receptacles located 27" [686mm] above floor. Includes one VLFF plate at bottom back side of pole. Dimensions: 10'6" x 13 3/8" x 3 25/32" [3.2m x 340mm x 96mm].	VES66234524 	In-Stock Small Vista Column Extension – Small profile 24" [610mm] frame extension, round end channels, anodized aluminum finish.
VS662345FF 	In-Stock Vista Column – Small profile frame, round end channels, anodized aluminum finish. Furniture feed. Includes one VSFF plate at bottom back side of pole. Dimensions: 10'6" x 8 29/32" x 3 25/32" [3.2m x 226mm x 96mm].	VEL66234524 	In-Stock Large Vista Column Extension – Large profile 24" [610mm] frame extension, round end channels, anodized aluminum finish.

Vista Architectural Column Frame Options Ordering Information



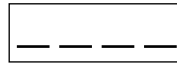
Prefix:	Size:	End Channel:	Plate & End Channel Color:	Adapter:	Device/Adapter Color:	Panel:
Frame = VF	Small = S Large = L	Round = 66 Square = 77			Light Gray = GY White = WH Ivory/Light Almond = IV Black = BK No Device/Adapters = ZZ	Center Panel = P Glass Panel = G No Panel = X

COLOR - REFERENCE	CODE
White	= 3333
Black	= 9999
Ivory	= 5555
No Color - Anodized Aluminum	= 2345
Warm White - Steelcase 4700	= 3136
Moss - Steelcase 4722	= 5169
Lt. Tone - Herman Miller LT	= 2486
Mist - Steelcase 4606	= 5895
GSA Lt. Blue - GSA 25183	= 5911
Woodrose - Steelcase 4601	= 6137
Slate - Steelcase 4726	= 6142
Light Blue - Shaw Walker A751	= 1988
Greystone - Haworth - G	= 2884

NOTE: These are suggested colors. If there are other colors not indicated here, send in a color chip as most colors can be matched.

Furniture Feed	= FF
Data Devices - Ortronics® Series II or TracJack Adapters	= RT
Open System Adapters	= CM
A/V Device Plates	
Extron® Electronics MAAP - (Has openings for 8 Wiremold AVIP or Extron® MAAP Modules. 1 MAB Adapter included.)	= EM
Extron® Electronics AAP - (Has openings for 6 Extron® AAP Modules. 1 MAB Adapter included.)	= EA
Crestron® Quick Media - (Has openings for 1 two-gang or single-gang wall plates. 1 MAAP Adapter included.)	= CR
Duplex receptacles are located at 27" [686mm] above the finish floor.	
Communications modules are located at 21" [533mm] above the finish floor.	

Vista Architectural Column Panel Options Ordering Information

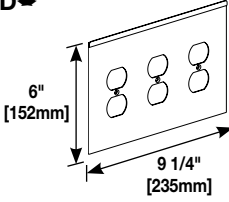
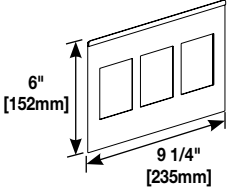
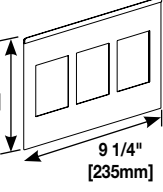
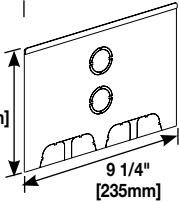
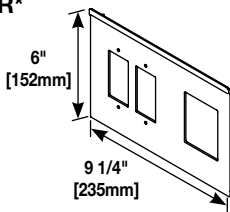
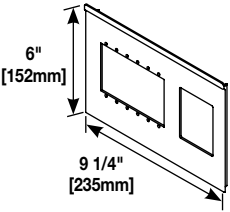
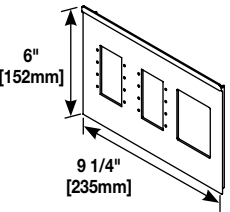


Prefix:	Size:	Panel Type:	Panel Finish
Frame = VP	Small = S Large = L	Aluminum = A3 Woodgrain = W3 Metal Finish = M3 Glass Finish = G4 Fabric = F8	

COLOR – REFERENCE	CODE	COLOR – REFERENCE	CODE	COLOR – REFERENCE	CODE
Aluminum:		Woodgrain Laminate:		Fabric:	
White	= 3333	Amber Cherry	= 4407	Quartz	= 3805
Black	= 9999	Mahogany	= 4410	Lavender Natural	= 4055
Ivory	= 5555	Maple Fusion	= 4401	Blue Neutral	= 4105
No Color – Anodized Aluminum	= 2345	Shaker Cherry	= 4408	Wedgewood	= 1505
Warm White – Steelcase 4700	= 3136	Fonthill Pear	= 4406	Grey Mix	= 2385
Moss – Steelcase 4722	= 5169	Kensington Maple	= 4451	Lake	= 0995
Lt. Tone – Herman Miller LT	= 2486	Congo Spruce	= 4456	Malibu	= 0375
Mist – Steelcase 4606	= 5895	Natural Pear	= 4411	Globe	= 0245
GSA Lt. Blue – GSA 25183	= 5911	Biltmore Cherry	= 4413	Flax	= 0615
Woodrose – Steelcase 4601	= 6137	Asian Sun	= 4467	Daylight Blue	= 0305
Slate – Steelcase 4726	= 6142				
Light Blue – Shaw Walker A751	= 1988	Glass:			
Greytone – Haworth – G	= 2884	Heavy Frost	= 8675		

NOTE: These are suggested colors. If there are other colors not indicated here, send in a color chip as most colors can be matched.

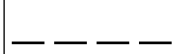
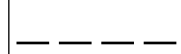
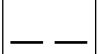
Device Plates for Large Frame Vista Series

Catalog No./Item	Description/Specifications
VL3D* 	Device Cover – Has three duplex receptacle cutouts. Specify plate color only. Adapters not included.
VLRT 	Device Cover – Has three mini adapters for Ortronics® Series II or TracJack devices. Specify plate color and adapter color.
VLCM 	Device Cover – Has three mini adapters for Wiremold CM Series Open System communication devices. Specify plate color and adapter color.
VLFF 	Furniture Feed Plate – Has two (2) concentric 1" and 3/4" trade size KOs, and two (2) multiple twistout mouse holes. One furniture feed plate is installed on the assembly. Specify plate color only. Adapters not included.
VLCR* 	AV Device Cover – Has openings for one (1) two-gang or two (2) single-gang Crestron® Quick Media wall plate(s) and one mini adapter (included). Specify plate color and adapter color.
VLEA* 	AV Device Cover – Has openings for six (6) Extron® Electronics AAP modules and one mini adapter (included). Specify plate color and adapter color.
VLEM* 	AV Device Cover – Has openings for eight (8) Wiremold AVIP or Extron® Electronics MAAP modules and one mini adapter (included). Specify plate color and adapter color.

* Add "C" prefix to catalog number to denote Canadian version – Agency approved for sale in Canada. 

* Products are ETL Listed.

Device Plate Part Number Ordering Information

Base:	Plate Color:	Adapter Color:															
																	
Enter Catalog Number from above choices	Refer to color list on page 6, enter 4-digit code	<table style="width: 100%; border: none;"> <tr><td style="padding-right: 10px;">Light Gray</td><td>=</td><td>GY</td></tr> <tr><td style="padding-right: 10px;">White</td><td>=</td><td>WH</td></tr> <tr><td style="padding-right: 10px;">Ivory/ Light Almond</td><td>=</td><td>IV</td></tr> <tr><td style="padding-right: 10px;">Black</td><td>=</td><td>BK</td></tr> <tr><td style="padding-right: 10px;">No Device/ Adapter</td><td>=</td><td>ZZ</td></tr> </table>	Light Gray	=	GY	White	=	WH	Ivory/ Light Almond	=	IV	Black	=	BK	No Device/ Adapter	=	ZZ
Light Gray	=	GY															
White	=	WH															
Ivory/ Light Almond	=	IV															
Black	=	BK															
No Device/ Adapter	=	ZZ															
<p>NOTE: Send in a color chip. Most colors can be matched.</p>																	

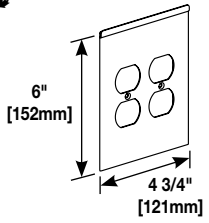
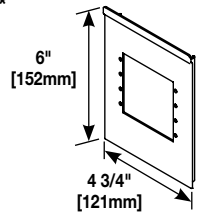
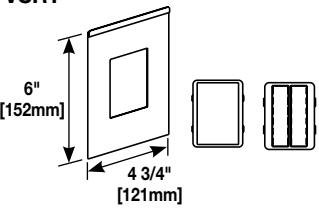
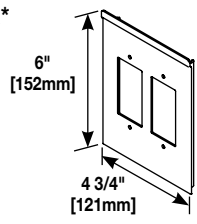
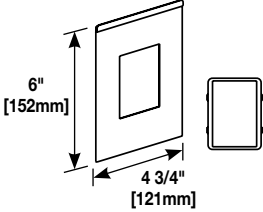
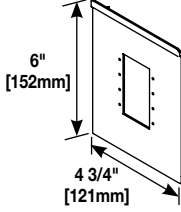
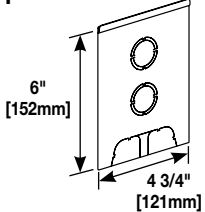
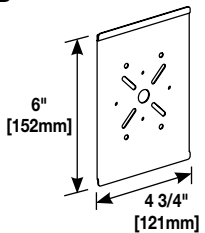


For more system options, contact your Legrand sales representative.



Design your own Vista Architectural Column online at
www.legrand.us/vista

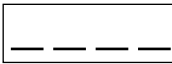
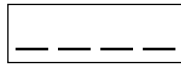

Device Plates for Small Frame Vista Series

Catalog No./Item	Description/Specifications	Catalog No./Item	Description/Specifications
VS2D* 	Device Cover – Has two (2) duplex receptacle cutouts. Specify plate color only. Adapters not included	VSEA* 	AV Device Plate – Has openings for four (4) Extron® Electronics AAP modules. Specify plate color only. Adapters not included.
VSRT 	Device Cover – Has one mini adapter for Ortronics® Series II or TracJack devices. Specify plate color and adapter color	VSCR* 	AV Device Plate – Has openings for one (1) two-gang or two (2) single-gang Crestron® Quick Media wall plate(s). Specify plate color only. Adapters not included.
VSCM 	Device Cover – Has one mini adapter for Wiremold CM Series Open System communication devices. Specify plate color and adapter color.	VSEM* 	AV Device Plate – Has openings for four (4) Extron® Electronics MAAP modules. Specify plate color only. Adapters not included.
VSFF 	Furniture Feed Plate – Has two (2) concentric 1" and 3/4" trade size KOs, and one multiple twistout mouse hole. One furniture feed plate is installed on the assembly. Specify plate color only. Adapters not included.	VSLB* 	Lighting Bracket – Accommodates commercially available lights weighing up to 10 lbs. [4.5kg]. Specify plate color only. Adapters not included.

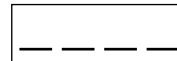
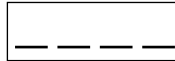
* Add "C" prefix to catalog number to denote Canadian version – Agency approved for sale in Canada. ®

* Products are ETL Listed.

Device Plate Part Number Ordering Information

Base:	Plate Color:	Adapter Color:
		
Enter Catalog Number from above choices	Refer to color list on page 6, enter 4-digit code	Light Gray = GY White = WH Ivory/ Light Almond = IV Black = BK No Device/ Adapter = ZZ
NOTE: Send in a color chip. Most colors can be matched.		

Vista Architectural Column Extension Kit Ordering Information



Prefix:

Frame = **VE**

Size:

Small = **S**
Large = **L**

Shape:

Round = **66**
Square = **77**

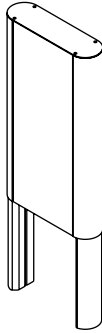
End Channel Finish:

Panel Finish:

Height:

24" [610mm] = **24**
60" [1.525m] = **60**

Extension Kit Options -
Accommodates ceiling heights between 10' [3m] and 15' [4.5m]. Includes hardware for attaching to main section. Round or square shapes available. includes a center panel.



COLOR - REFERENCE	CODE
White	= 3333
Black	= 9999
Ivory	= 5555
No Color - Anodized Aluminum	= 2345
Warm White - Steelcase 4700	= 3136
Moss - Steelcase 4722	= 5169
Lt. Tone - Herman Miller LT	= 2486
Mist - Steelcase 4606	= 5895
GSA Lt. Blue - GSA 25183	= 5911
Woodrose - Steelcase 4601	= 6137
Slate - Steelcase 4726	= 6142
Light Blue - Shaw Walker A751	= 1988
Greystone - Haworth - G	= 2884

NOTE: These are suggested colors. If there are other colors not indicated here, send in a color chip as most colors can be matched.

Woodgrain Laminate:

Medium Cherry	= 4407
Mahogany	= 4410
Maple	= 4401
Antique Cherry	= 4408
Fruitwood	= 4406
Natural Allegro Coord.	= 4451
Copper Bubinga	= 4456
Natural Birdseye	= 4411
Honey Birdseye	= 4413
Classic Cherry Frise	= 4467

Metal Laminate:

Vertical Corrugated	
Matte Aluminum	= 4748
Ragged Copper	= 1999
Mirror Aluminum	= 2021
Matte Footplate	= 2046
Light Hammer	
Copper	= 2121
Double Brushed Aluminum	= 2171

Fabric:

Quartz	= 3805
Lavender Natural	= 4055
Blue Neutral	= 4105
Wedgewood	= 1505
Grey Mix	= 2385
Lake	= 0995
Malibu	= 0375
Globe	= 0245
Flax	= 0615
Daylight Blue	= 0305

NOTES



Electrical Wiring Systems

60 Woodlawn Street
West Hartford, CT 06110
Phone: 1.877.BY.LEGRAND (295-3472)
www.legrand.us

570 Applewood Crescent
Vaughan, Ontario L4K 4B4
Phone: 905.738.9195
www.legrand.ca

