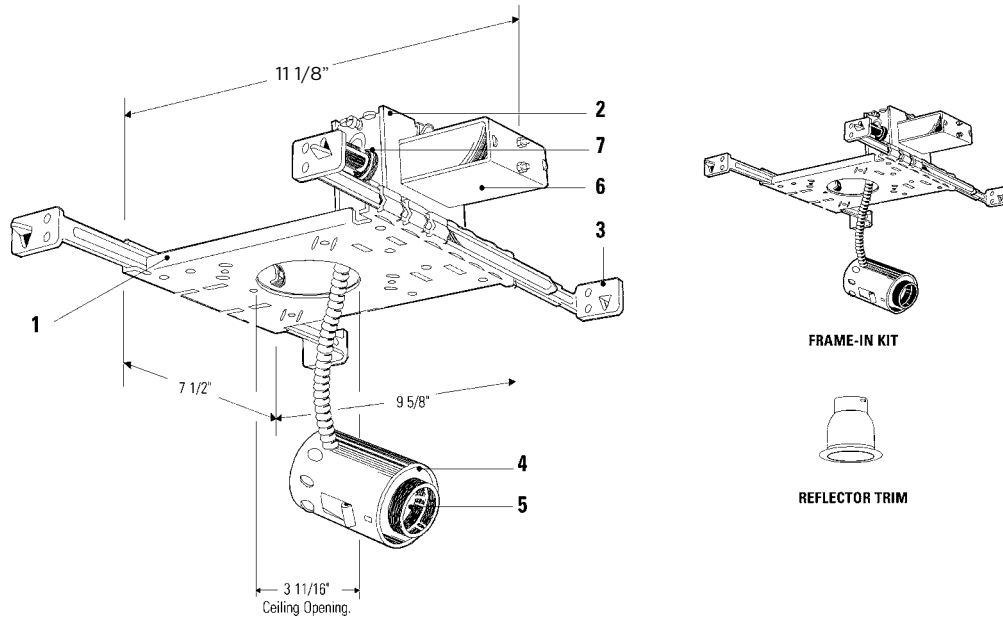


## Lytecaster 3 3/4" Aperture, Low Voltage, MR16 Standard, Frame-In Kit

Project:	Catalog No:	Mfg:
Location:	Fixture Type:	Qty:
Notes:		Lamps:



**Ordering guide:** Complete Fixture consists of Reflector Trim & Frame-In Kit. Select each separately.

Frame-in kit	Reflector Trims (See Individual Reflector Trim Specification Sheets)									
	Open Downlight						Adjustable		Enclosed	
	Specular Cone			Satin Cone	Baffles	Slot	Pinhole	Mini Swivel	Eyeball	Diffuser
<b>2000LVRE1</b>	<b>2012</b>	<b>2013CD</b>	<b>2013WH</b>	<b>2008</b>	<b>2005</b>	<b>2006</b>	<b>2011</b>	<b>2025WH</b>	<b>2022LV</b>	<b>2026WH</b>
<b>Note:</b>	<b>2012NM</b>	<b>2013CDNM</b>	<b>2013WD</b>	<b>2008NM</b>	<b>2005WH</b>					<b>2090LV</b>
Use unshielded lamps only	<b>2013</b>	<b>2013BKNM</b>	<b>2013WDP</b>	<b>2010</b>	<b>2005BNM</b>					
	<b>2013NM</b>	<b>2013BK</b>		<b>2010NM</b>	<b>2005NM</b>					
					<b>2076WH30K</b>					

### Features

- Mounting Frame:** 036" (#20 ga.) galvanized steel. Accommodates all ceilings up to 1" thick. Push-in/ twist-out rotoclips hold reflector flush to ceiling.
- Junction Box:** 4" x 3 1/2" x 2", .063" (#14 ga.) galvanized steel. U.L. listed for maximum of 8 No. 12 ga. 90° C through branch circuit conductors (75° C end of run). Integral cable clamps permit attachment of nonmetallic Romex® or armored cable without need of additional connectors.
- Mounting Bars:** .059" (#16 ga.) galvanized steel. 13" long bars extend to 27" with integral nailing tabs. Attaches to wood joist without need of accessories.
- Socket Housing:** Aluminum with lamp adjustment assembly allows 35° max. vertical 358° horizontal adjustment. (See reflector trim specification sheet for specific adjustment.)
- Socket:** Field replaceable. Two pin socket, pre-wired with #18 SF1 leads to junction box.

- Transformer:** Outboard mounted, magnetic, 120V. primary, nominal 12V. secondary. Removable from below.
- Thermal Protector:** Meets NEC and UL requirements. Insulation must be kept 3" away from fixture sides and wiring compartments and must not be placed above fixture in a manner which will entrap heat.
- Lamping:** Use unshielded lamps only.

### Dimming

**Dimming Controls:** Dimming Controls: use only dimmers specifically designed for use with magnetic transformers, like Lightolier Onset®, Sunrise® series LV or VA dimmers, or any Lightolier Controls dimming system. Low voltage fixtures may produce audible sound when used with dimmers, which may be objectionable in acoustically critical areas.

### Options and Accessories

- Socket for General Electric Turn and lock (TAL) MR16 Lamp:** 1975TAL
- Mounting Bars:** 1964 - 20" set of (2)
- T-Bar Ceiling Clips:** 1956 - set of (4)
- Plaster Ceiling Ring:** 1959 - 7/8" deep for wet plaster ceilings.
- 277V Remote Step-Down Transformer:** 7997 - 277V down to 120V 300W max. load.
- MR16 Socket Replacement:** 1975B

### Labels

UL (Suitable for Damp Locations), I.B.E.W. Romex® is a registered trademark of General Cable Industries Inc.

**Note:** Use open non shielded lamps with glass and please remove glass for shield lamps.