

# 1L V-Series Incandescent Luminaires

Wet Locations  
NEMA 3, 3R

## Enclosed and Gasketed

### Applications:

- V-Series incandescent luminaires are used:
- Indoors or outdoors in industrial locations where enclosed and gasketed fixtures are required
  - In tunnels, building entrances and similar locations, where moisture, dirt, chemicals, vibration or rough usage are a problem
  - For flush or surface mounting on ceiling or wall, with or without a cast outlet box, pendant or in conduit systems

### Features:

- Designed to exclude dirt, moisture and corrosive vapors from the interior of the fixtures and the conduit system
- Several body styles provide a wide variety of mountings, while all use the same globes, guards and optional accessories
- Rugged and corrosion resistant

### Certifications and Compliances:

- Wet locations
- NEMA: 3, 3R
- UL Standard: 1598

### Standard Materials:

- Bodies – *Feraloy*® iron alloy
- Guards – copper-free aluminum
- Globes – glass
- Reflectors – *Krydon*® fiberglass-reinforced polyester material reflectors

### Standard Finishes:

- *Feraloy* iron alloy – electrogalvanized and aluminum acrylic paint
- Copper-free aluminum – natural
- *Krydon*® material – high reflectance white

### Options:

- |                                       |                                    |
|---------------------------------------|------------------------------------|
| <b>Description</b>                    | <b>Suffix</b>                      |
| <i>Corro-free</i> ™ epoxy powder coat | <b>S752</b>                        |
| Plastic polycarbonate globe           | <b>Order separately. See below</b> |

### Size Ranges:

- ¾ hubs
- Maximum wattage lamp:
  - Glass globes 150W, A23
  - Polycarbonate 75W, A33



VDA

VC

VG

VJ

VD

Description	Cat. #	Cat. #	Cat. #	Cat. #	Cat. #
With plain globe and guard	VDA2759	VC2759	VG2759	VJ2759	VD2759
Without globe and guard	VDA275	VC275	VG275	VJ275	VD275

### Glass Globes and Guards



V63



V911

Color	Cat. #	Globe Size	Cat. #
Clear (heat resisting)	V63	6¾"	V911
Green	VN72		
Blue	VN73		
Red	VN75		
Amber	VN76		

### Polycarbonate Globes

#### Applications:

- Polycarbonate globes are used:
- In food processing plants, canneries, dairies, breweries and bakeries
  - In emergency lighting
  - Emergency police and fire alarm boxes

#### Features:

- Polycarbonate globes are shatterproof, preclude contamination of food products with broken particles of glass
- Comply with U.S. Dept. of Agriculture specification for food processing plants



V470

Color	Cat. #
Natural	V470
Red	V475

**Crouse-Hinds**  
by **F.T.N.**

## Accessories and Parts For V-Series

### Reflectors

Krydon® – fiberglass-reinforced polyester  
(Must be used with V911 Guard)



Dome



Angle

Lamp Size	Dia.	Cat. #
<b>Dome</b>		
50–150W	12"	<b>RD60</b>
<b>30° Angle</b>		
50–150W	12"	<b>RA60</b>

**Note:** Angle reflector cannot always be used with bracket style fixtures. Check distance from mounting surface to center of body against reflector size to determine if reflector will fit.

### Receptacles (medium base)



Description	Cat. #
Medium Base Receptacle	<b>V46</b>

### Gasket



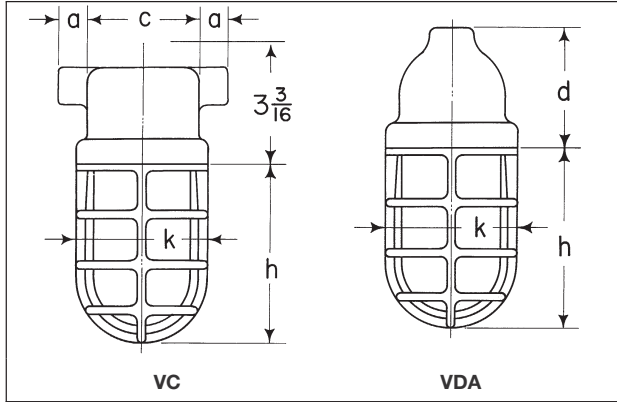
Description	Cat. #
Gasket	<b>GASK213</b>



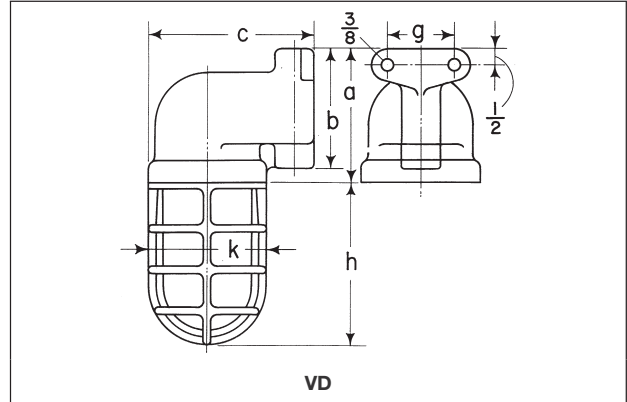
# 1L V-Series Incandescent Luminaires

## Enclosed and Gasketed Dimensions

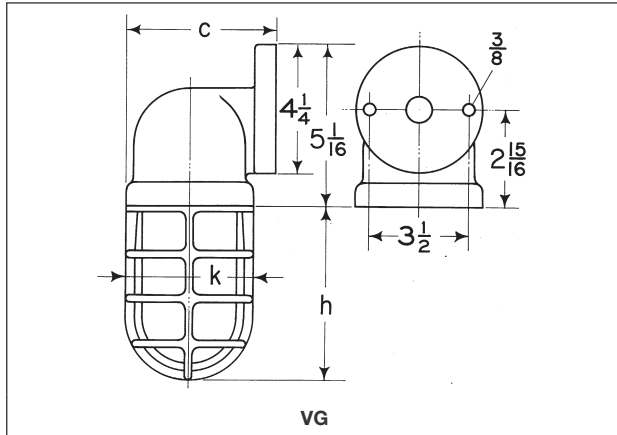
### Dimensions In Inches:



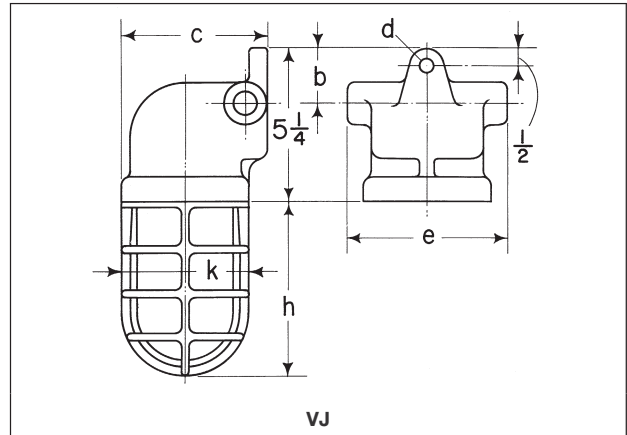
Hub Size	a	c	d	h	k
1/2	7/8	3 11/16	4	6 3/16	4 9/16
3/4	7/8	3 11/16	4	6 3/16	4 9/16



Hub Size	a	b	c	g	h	k
1/2	4 15/16	4 3/16	5 19/16	2 1/2	6 3/16	4 9/16
3/4	4 15/16	4 3/16	6 3/16	2 3/4	6 3/16	4 9/16



Hub Size	c	h	k
1/2	4 7/8	6 7/16	4 9/16
3/4	4 7/8	6 7/16	4 9/16



Hub Size	b	c	d	e	h	k
1/2	1 19/16	4 7/8	3/8	5 3/8	6 3/16	4 9/16
3/4	1 19/16	4 7/8	3/8	5 3/8	6 3/16	4 9/16

1L

# V-Series Incandescent Luminaires

Photometric Data

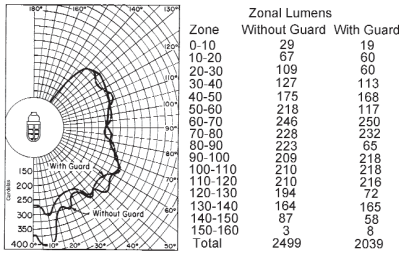
1L

## Enclosed and Gasketed

### Luminaires V-Series

Lamp: 150W/A23 Clear  
Total Bare Lamp Lumens: 2800

All data provided is for 150W incandescent lamp. Use following candela/lumen multipliers for the other lamp sizes: 100W – 0.61



**Example:** Zonal lumens for 150W lamp for 0–40° with guard is 252.

### Coefficient of Utilization

Effective Floor Cavity Reflectance 20%

% Reflectance Eff. Ceil.	Wall	Room Cavity Ratio				
		1	2	3	4	5
80	50	.659	.558	.479	.416	.361
	30	.623	.504	.417	.349	.298
	10	.591	.458	.367	.298	.248
70	50	.609	.515	.442	.384	.336
	30	.577	.466	.386	.324	.275
	10	.545	.426	.342	.278	.230
50	50	.515	.434	.372	.321	.282
	30	.491	.397	.328	.274	.234
	10	.469	.364	.293	.238	.197
30	50	.429	.359	.307	.264	.232
	30	.411	.332	.274	.228	.194
	10	.395	.307	.245	.198	.165
10	50	.350	.290	.246	.211	.185
	30	.337	.269	.221	.183	.156
	10	.325	.251	.199	.160	.132

% Reflectance Eff. Ceil.	Wall	Room Cavity Ratio				
		6	7	8	9	10
80	50	.325	.290	.261	.236	.211
	30	.259	.227	.199	.176	.153
	10	.212	.183	.157	.136	.116
70	50	.299	.268	.241	.219	.194
	30	.240	.210	.186	.164	.143
	10	.197	.170	.146	.127	.108
50	50	.252	.226	.203	.185	.165
	30	.205	.178	.158	.140	.122
	10	.169	.145	.125	.109	.092
30	50	.208	.186	.169	.153	.137
	30	.170	.149	.131	.117	.101
	10	.141	.121	.105	.091	.076
10	50	.167	.151	.135	.124	.110
	30	.136	.121	.106	.094	.081
	10	.114	.098	.084	.073	.060

