

TEMPORARY LIGHTING

TIGER™ 400 HID, TIGERcub™ 175 HID AND TIGRESS™ 105-WATT CFL

- Meets the requirements of the 2014 National Electrical Code: Articles 410.62(C)(1) and (2), 410.104(A), 410.122, 410.130(F)(5) and 590.4(F).
- Compact size, lightweight and balanced construction.
- UL and ETL Listed.
- Reliable, durable, maintenance free performance!

TYPICAL APPLICATIONS:

- Parking Garages
- Grocery Stores
- Retail Stores
- Mezzanine Areas
- Outdoor Areas
- Schools and University Gymnasiums
- New Building Construction or Renovation

TIGER 400 HID AND TIGERcub 175 HID BENEFITS

Pulse-Start Ballast

- Easy to carry and install.
- Fast warm-up time (2 min. vs. 4 min.)
- Fast "hot" restrike (3-4 min. vs. 15-20 min.)
- Improved cold weather starting performance.
- Lower maintenance and operating cost – ballast efficiency is 88%.
- Pre-wired at the factory for 120V operation. The multi-tap ballast can be re-configured for 208V, 240V or 277V applications.
- Improved efficacy (up to 45% more lumens per watt).

Fixture Lamp with Ceramic Arc Tube

- Improved lumen maintenance (up to 25%).
- Higher initial lumen output.
- Superior color rendering and light stability.
- Reduced color shift – more consistent lamp-to-lamp color.
- Longer lamp life – up to 30% improvement over traditional probe-start fixtures.
 - 15,000+ hours for the TIGER 400 HID
 - 12,000+ hours for the TIGERcub 175 HID

TIGRESS 105-WATT CFL BENEFITS

- Low cost, energy efficient temporary lighting solution for use in low to medium bay lighting applications; minimum height - 10-feet measured from the floor.
- 105-Watt CFL is equivalent to a 300-watt incandescent lamp.
- 3 to 5 times more efficient than standard incandescent lamps and lasts 10 times longer.
- Consumes less than one-half of the total energy cost.
- Lumen output from the CFL lamp will not decay significantly.
- Minimum operating temperature - 10°F.



TIGER 400 HID



TIGERcub 175 HID



TIGRESS

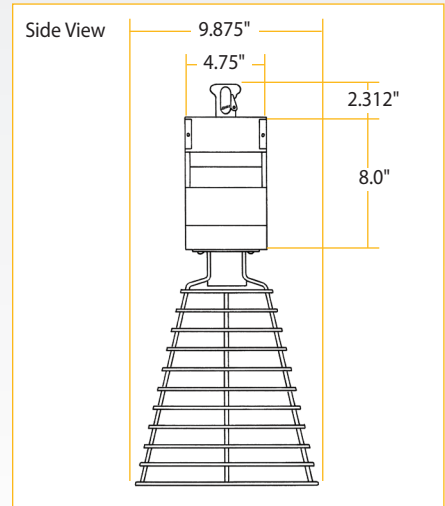
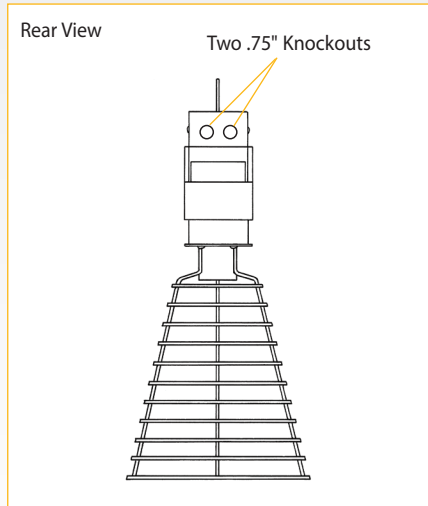
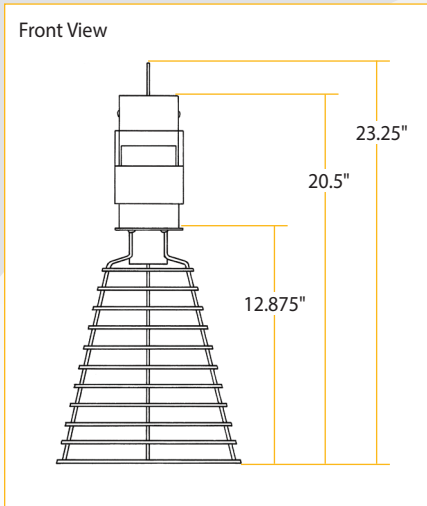
Metal Halide and Compact Fluorescent Lamp Specifications

	Color Temperature	Lumen Output	Average Rated Life (In Hours)	Color Rendering Index	Voltage	(AMPs)
TIGER 400 HID	4,000K	38,000	15,000	60	120	3.25
TIGERcub 175 HID	4,000K	16,600	12,000	60	120	1.5
TIGRESS 105-Watt CFL	5,000K	6,900	8,000	82	120	.875

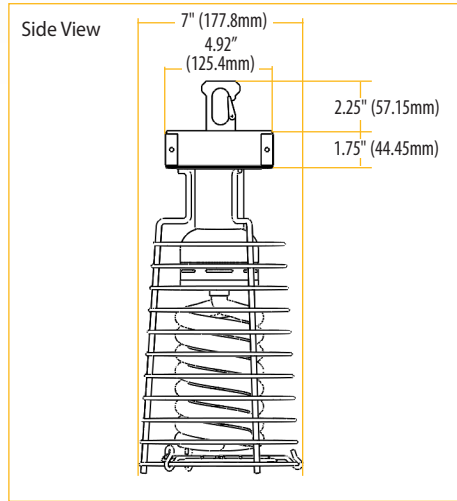
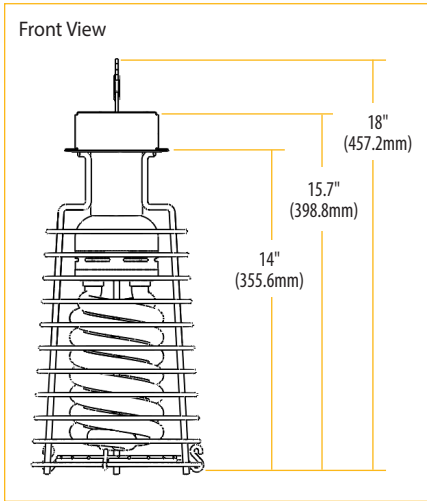
Specifications subject to change without prior notice.

TEMPORARY LIGHTING

TIGER 400 HID AND TIGERcub 175 HID DIMENSIONS



TIGRESS 105-WATT CFL DIMENSIONS



Catalog Number	UPC Number	Description	Order Unit	Unit Qty	Unit Pkg	Units/Case	TL Case Qty	Min Order Qty	MM Req	Ship Wt (Lbs)
TIGER 400 HID Temporary Lighting										
15702	15702	TIGER 400 HID: 400-watt Type-O Metal Halide Lamp, Safety Cage and Lamp Guard	EA	1	BX	1	1	1	No	22
15752	15752	Type-O 400-Watt Metal Halide Lamp: Pulse-Start	EA	1	BX	20	20	1	No	2
TIGERcub 175 HID Temporary Lighting										
15711	15711	TIGERcub 175 HID: 175-watt Type-O Metal Halide Lamp, Safety Cage and Lamp Guard	EA	1	BX	1	1	1	No	20
15757	15757	Type-O 175-Watt Metal Halide Lamp: Pulse-Start	EA	1	BX	20	20	1	No	2
HID Temporary Lighting Accessories										
15760*	15760	Universal Replacement HID Safety Cage and Lamp Guard: Clamp Mount	EA	1	BN	5	5	1	No	9
TIGRESS 105-Watt Temporary Lighting										
15720	15720	TIGRESS: 105-Watt Compact Fluorescent Lamp, Safety Cage and Lamp Guard	EA	1	BX	0	0	1	No	7
15725	15725	105-Watt Compact Fluorescent Lamp	EA	1	BX	10	10	1	No	1

* Fits majority of manufacturer's HID Type-O and Type-S Temporary HID Luminaires.

UNITS OF MEASURE KEY

Order Unit: The Unit to be ordered; Order Qty: Number of pieces in each Unit; Unit Pkg: Packaging types - BG (Bag), BX (Box), BN (Bulk); Units/Case: Unit packages contained in the Case; TL Case Qty: The total number of items in each Master Case; Min Order Qty: The smallest Unit that can be ordered; MM Req: Must order multiples of the Unit in the stated quantities; Ship Wt (Lbs): Total weight of the units per Carton

Specifications subject to change without prior notice.

TEMPORARY DELUXE CORDLIGHTS

Temporary Construction Lighting Strings are intended for severe environments and are impervious to dust, dirt, chemical vapors, salt spray and other corrosive elements. Constructed of heavy-duty 14/2, 14/3 or 12/3 SJTW round cord with a 75°C (167°F) temperature rating, our Deluxe CordLights are UL Listed and complies with UL Standard 1088 for Temporary Lighting Strings.



- File Number: E190858. Meets all OSHA Standards.
- Meets the requirements of the 2014 National Electrical Code: Article 590.4(F).
- Suitable for indoor and outdoor use.
- Weather-resistant lamp sockets feature rigid-mounted eyelets for hooks or wire to expedite and simplify hanging.
- Unique open and secure closure clasp on the heavy-duty Safety Cage easily facilitates bulb changes.
- A patented detent “snap-off, snap-on” fitting on the lamp socket enables quick replacement if the Safety Cage becomes damaged.
- Rated only for use with Type A23 Incandescent Lamp - 150-watt rating (maximum), Compact Fluorescent (23-watts and above) or LED Lamps (1000 lumens and above).
- U.S. Patent Number: D.439,697.

Typical Applications for Temporary Deluxe CordLights:

- Construction Sites
- Parking Lots
- Walkways
- Festivals
- Circus Tents
- Christmas Tree Lots

Catalog Number	UPC Number	Description	Order Unit	Unit Qty	Unit Pkg	Units/Case	TL Case Qty	Min Order Qty	MM Req	Ship Wt (Lbs)
16010†	16010	Deluxe CordLights: 14/2 SJTW Round Cord, 100-FT Length, 10-FT Centers (without Plug) - Yellow	EA	1	BX	0	0	1	No	13
16301	16301	Deluxe CordLights: 14/3 SJTW Round Cord, 100-FT Length, 10-FT Centers (with Molded Plug) - Yellow	EA	1	BX	0	0	1	No	14
16350	16350	Deluxe CordLights: 12/3 SJTW Round Cord, 100-FT Length, 10-FT Centers (without Plug) - Yellow	EA	1	BX	0	0	1	No	19
16353	16353	Deluxe CordLights: 12/3 SJTW Round Cord, 100-FT Length, 10-FT Centers (with Molded Plug) - Yellow	EA	1	BX	0	0	1	No	19
16100	16100	Replacement Safety Cage: for Deluxe CordLight - Yellow	EA	1	BN	10	10	10	Yes	1

†UL 1088 - Article 17.2 – lamp guard shall be constructed of polymeric material. The actual molded product is polypropylene. Flame class is V-0 meets UL 746C.

UNITS OF MEASURE KEY

Order Unit: The Unit to be ordered; Order Qty: Number of pieces in each Unit; Unit Pkg: Packaging types - BG (Bag), BX (Box), BN (Bulk); Units/Case: Unit packages contained in the Case; TL Case Qty: The total number of items in each Master Case; Min Order Qty: The smallest Unit that can be ordered; MM Req: Must order multiples of the Unit in the stated quantities; Ship Wt (Lbs): Total weight of the units per Carton

Specifications subject to change without prior notice.

PIGTAIL LAMP SOCKET

- A patented detent “snap-off, snap-on” fitting on the lamp socket enables quick replacement if the Safety Cage becomes damaged. Can be used with EPCO Safety Cage (P/N: 16100).
- Suitable for indoor or outdoor use.
- 6-Inch leads, pre-stripped 5/8” (.625”).
- Rated only for use with Type A23 Incandescent Lamp - 150-watt rating (maximum), Compact Fluorescent (23-watts and above) or LED Lamps (1000 lumens and above).



Catalog Number	UPC Number	Description	Order Unit	Unit Qty	Unit Pkg	Units/Case	TL Case Qty	Min Order Qty	MM Req	Ship Wt (Lbs)
16023	16023	Pigtail Lamp Socket: with 6-inch Leads	EA	5	BG	0	0	5	Yes	1
16100	16100	Replacement Safety Cage: for Deluxe CordLight - Yellow	EA	1	BN	10	10	10	Yes	1

INSULATION PIERCING LAMP SOCKET

- Suitable for indoor and outdoor use.
- Use to repair signage, appliances or other lighting fixtures.
- Integrally designed terminals and contacts provide a superior electrical connection.
- Use with 12 or 14 AWG THHN insulated stranded-wire.
- No cutting, wire stripping, wire nuts or soldering required.
- Rated only for use with Type A23 Incandescent Lamp - 150-watt rating (maximum), Compact Fluorescent or LED Lamps.



Catalog Number	UPC Number	Description	Order Unit	Unit Qty	Unit Pkg	Units/Case	TL Case Qty	Min Order Qty	MM Req	Ship Wt (Lbs)
16022	16022	Insulation Piercing Lamp Socket	EA	5	BG	0	0	5	Yes	1
16110	16110	Safety Cage: Yellow	EA	1	BN	10	10	10	Yes	1

REPLACEMENT SAFETY CAGES

- Suitable for indoor and outdoor use.
- Unique open and secure closure clasp on the heavy-duty Safety Cage easily facilitates bulb changes.



Catalog Number	UPC Number	Description	Order Unit	Unit Qty	Unit Pkg	Units/Case	TL Case Qty	Min Order Qty	MM Req	Ship Wt (Lbs)
16100	16100	Replacement Safety Cage: for Deluxe CordLight - Yellow	EA	1	BN	10	10	10	Yes	1

UNITS OF MEASURE KEY

Order Unit: The Unit to be ordered; Order Qty: Number of pieces in each Unit; Unit Pkg: Packaging types - BG (Bag), BX (Box), BN (Bulk); Units/Case: Unit packages contained in the Case; TL Case Qty: The total number of items in each Master Case; Min Order Qty: The smallest Unit that can be ordered; MM Req: Must order multiples of the Unit in the stated quantities; Ship Wt (Lbs): Total weight of the units per Carton

Specifications subject to change without prior notice.

E02-040-001 G1 (1/16-SP)
©2016 Engineered Products Company. All Rights Reserved.
TIGER, TIGERub and TIGRESS are trademarks of Engineered Products Company.