

## DESCRIPTION

H36ICAT is a shallow IC AIR-TITE™ fixture for use with H3 3" series trims. Housing is AIR-TITE rated to prevent airflow between heated or air conditioned spaces and unconditioned attic areas. For use with 120V GU10 lamps.

H36ICAT is IC rated and may be used in insulated 2x6 ceilings and be covered with insulation material.

<b>Catalog #</b>		<b>Type</b>
<b>Project</b>		
<b>Comments</b>		<b>Date</b>
<b>Prepared by</b>		

## SPECIFICATION FEATURES

### Housing

IC and AIR-TITE™ rated double wall aluminum construction. Shallow height for 2x6 joist spaces.

### Plaster Frame

Housing adjusts in plaster frame to accommodate up to 1-1/2" ceiling thickness. Galvanized steel construction.

Plaster frame features include:

- Regressed locking screw for securing hanger bars.
- Cutouts for easily crimping hanger bars in position.
- Halo name embossed on plaster frame.
- The inner can housing may be removed from the plaster frame to provide access to the junction box.
- Pre-installed AIR-TITE gasket.

### Got NAIL!™ Bar Hangers

- Pre-installed nail easily installs in regular lumber, engineered lumber and laminated beams.
- Safety and guidance system prevents snagging, ensures smooth straight nail penetration and allows bar hangers to be easily removed if necessary.
- Automatic levelling flange aligns the housing and lets you hold the housing in place with one hand while driving nails.

- Housing can be positioned at any point within 24" joist span
- Pass-N-Thru™ feature allows bar hangers to be shortened without removing from plaster frame.
- Score lines allow "toolless" shortening.
- Bar hangers may be repositioned 90°.
- Integral T-bar clip snaps onto T-bars - no additional clips required.

### Junction Box

- UL Listed for through branch circuit wiring (maximum 8 No.12 ga., 90°C conductors).
- Four 1/2" trade size conduit knockouts with true pry-out slots are positioned to accommodate straight conduit runs.
- Three Slide-N-Side™ wire traps allow non-metallic sheathed cable to be installed without tools and without removing knockouts. Accepts a wide range of non-metallic sheathed cable.
  - Allows wiring connections to be made outside the junction box
  - Simply insert the cable directly into the trap after connections are made.
  - Three push-in wire connectors are included and eliminate the need for separate wire nuts.

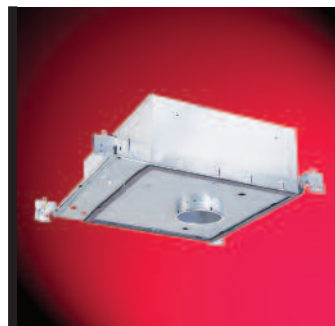
- Accommodates the following standard non-metallic sheathed cable sizes:  
(US) #14/2, #14/3, #12/2, #12/3  
(Canada) #14/2, #14/3, #12/2

### Socket

GU10 socket for 120V GU10 lamps.

### Labels

- UL/cUL Listed 1598 Luminaire
  - UL/cUL Damp Location Listed
  - UL/cUL Listed for Feed Through
  - UL/cUL listed for Direct Contact with Insulation and combustible material
- Meets following IC - AIR-TITE™ requirements:
- State of California Title 24
  - Washington State Energy Code
  - International Energy Conservation Code (IECC)
  - New York State Energy Conservation Construction Code
  - Certified Under ASTM-E283 for air tight construction.



## H36ICAT

**3" Insulated Ceiling  
AIR-TITE™ Recessed  
Shallow Housing  
120V GU10**

FOR USE IN  
INSULATED CEILINGS

CAN BE COVERED WITH  
INSULATION

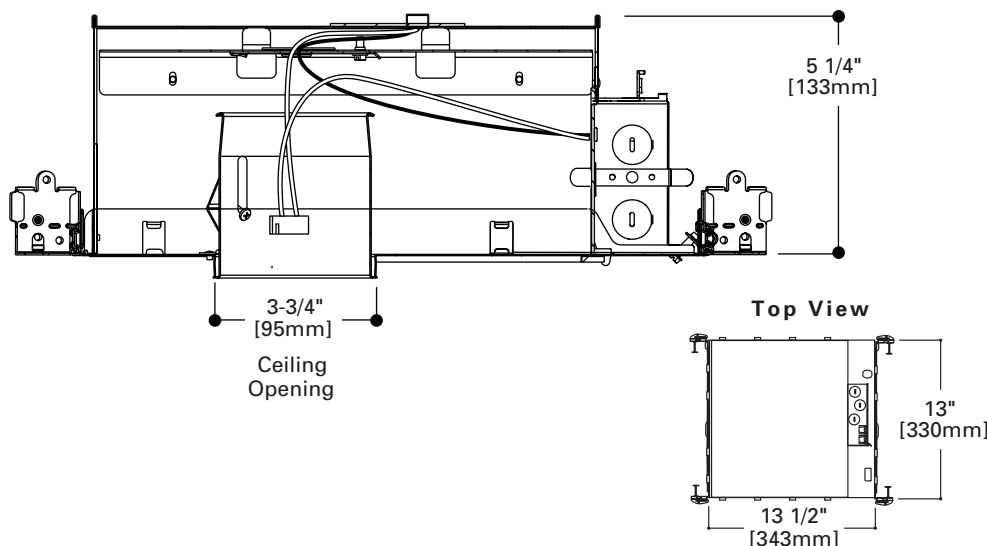


*air-tite*  
GELC™



### Features

- Slide-N-Side™ Junction Box
- GOT NAIL!™ Bar Hangers
- Pass-N-Thru™ Bar Hangers
- Regressed Locking Screw
- Quick-Connect Wiring Connectors
- HALO ID on Plaster Frame



**ORDERING INFORMATION**

**SAMPLE NUMBER: H36ICAT-3001WHBB**

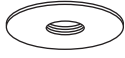
Order housing and trims separately.

**Housing**

**Trims**

**H36ICAT**

**H36ICAT=** 3" IC, AIR-TITE™  
Small Aperture  
Line Voltage GU10  
Shallow Housing



**3001**

**Adjustable Pinhole Baffle - 15° Tilt  
50W 120V GU10**  
3001WHBB=White with Black Baffle  
3001BKBB=Black with Black Baffle  
3001SNBB=Satin Nickel with Black Baffle  
3001ACBB=Antique Copper with Black Baffle  
3001TBZBB=Tuscan Bronze with Black Baffle  
OD: 4-1/4" [108mm]



**3002**

**Adjustable Pinhole Reflector- 15° Tilt  
50W 120V GU10**  
3002WHC=White with Clear Reflector  
3002BKC=Black with Clear Reflector  
3002SNC=Satin Nickel with Clear Reflector  
3002ACC=Antique Copper with Clear Reflector  
3002TBZC=Tuscan Bronze with Clear Reflector  
OD: 4-1/4" [108mm]



**3003**

**Adjustable Baffle- 35° Tilt  
50W 120V GU10**  
3003WHBB=White with Black Baffle  
3003WHWB=White with White Baffle  
3003BKBB=Black with Black Baffle  
3003SNB=Satin Nickel with Satin Nickel Baffle  
3003ACB=Antique Copper with Antique Copper Baffle  
3003TBZB=Tuscan Bronze with Tuscan Bronze Baffle  
OD: 4-1/4" [108mm]



**3004**

**Adjustable Reflector- 35° Tilt  
50W 120V GU10**  
3004WHC=White with Clear Reflector  
3004BKC=Black with Clear Reflector  
3004SN=Satin Nickel with Satin Nickel Reflector  
3004AC=Antique Copper with Antique Copper Reflector  
3004TBZ=Tuscan Bronze with Tuscan Bronze Reflector  
3004WHH=White with Haze Reflector  
3004WHW=White with White Reflector  
OD: 4-1/4" [108mm]



**3005**

**Crossblade Reflector  
50W 120V GU10**  
3005WHC=White with Clear Reflector  
3005BKC=Black with Clear Reflector  
OD: 4-1/4" [108mm]



**3006**

**Adjustable Slot Aperture- 35° Tilt  
50W 120V GU10**  
3006WHBB=White with Black Baffle  
3006BKBB=Black with Black Baffle  
3006SNBB=Satin Nickel with Black Baffle  
3006ACBB=Antique Copper with Black Baffle  
3006TBZBB=Tuscan Bronze with Black Baffle  
OD: 4-1/4" [108mm]



**3007**

**Regressed Lens Showerlight- 15° Tilt -  
Wet Location Listed  
50W 120V GU10**  
3007WHC=White with Clear Reflector  
3007PCC=Polished Chrome with Clear Reflector  
3007SN=Satin Nickel with Satin Nickel Reflector  
3007AC=Antique Copper with Antique Copper Reflector  
3007TBZ=Tuscan Bronze with Tuscan Bronze Reflector  
OD: 4-1/4" [108mm]



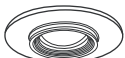
**3008**

**Showerlight - Wet Location Listed  
50W 120V GU10**  
3008FG=White Polymer and Glass Lens with  
Frosted Perimeter  
OD: 4-1/4" [108mm]



**3009**

**Adjustable Gimbal- 35° Tilt  
50W 120V GU10**  
3009WHBB=White with Black Baffle  
3009WHWB=White with White Baffle  
3009BKBB=Black with Black Baffle  
3009SNBB=Satin Nickel with Black Baffle  
3009ACBB=Antique Copper with Black Baffle  
3009TBZBB=Tuscan Bronze with Black Baffle  
OD: 4-1/4" [108mm]



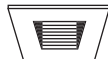
**3010**

**Super Adjustable- 0 - 80° Adjustment  
50W 120V GU10**  
3010WH=White  
3010SN=Satin Nickel  
3010TBZ=Tuscan Bronze  
OD: 4-1/4" [108mm]



**3011**

**Square Adjustable - 15° Tilt  
50W 120V GU10**  
3011WHBB=White with Black Baffle  
3011WHWB=White with White Baffle  
3011BKBB=Black with Black Baffle  
3011SNBB=Satin Nickel with Black Baffle  
3011ACBB=Antique Copper with Black Baffle  
3011TBZBB=Tuscan Bronze with Black Baffle  
OD: 4-1/4" [108mm]



**3012**

**Square Regressed Lens Adjustable  
Showerlight - 15° Tilt  
50W 120V GU10**  
3012WHBB=White with Black Baffle  
3012WHWB=White with White Baffle  
3012BKBB=Black with Black Baffle  
3012SNBB=Satin Nickel with Black Baffle  
3012ACBB=Antique Copper with Black Baffle  
3012TBZBB=Tuscan Bronze with Black Baffle  
OD: 4-1/4" [108mm]



**3011**

**Square Adjustable Gimbal - 35° Tilt  
50W 120V GU10**  
3013WH=White  
3013BK=Black  
3013SN=Satin  
3013AC=Antique Copper  
3013TBZ=Tuscan Bronze  
OD: 4-1/4" [108mm]



**3014**

**Glass Cylinder - Frost Glass with Optional  
Blue Glass Included  
50W 120V GU10**  
3014FBWH=Frost/Blue Glass Cylinder with  
White Trim  
3014FBSC=Frost/Blue Glass Cylinder with  
Satin Chrome Trim  
OD: 4-1/4" [108mm]



**3016**

**Low Profile Glass Curve  
50W 120V GU10**  
3016FG=Frost Glass Curve  
3016BG=Blue Glass Curve  
3016AG=Amber Glass Curve  
OD: 4-1/4" [108mm]



**3017**

**All-Glass Frost Curve Showerlight -  
Wet Location Listed  
50W 120V GU10**  
3017FGS=All-Glass Frost Curve with Clear  
Glass Center - Showerlight  
OD: 4-1/4" [108mm]



**3018**

**Square Drop Glass  
50W 120V GU10**  
3018SGSC=Square Designer Drop Glass  
with Satin Chrome Trim  
OD: 4-1/4" [108mm]



**3019**

**Round Drop Glass  
50W 120V GU10**  
3019RGSC=Round Designer Drop Glass  
with Satin Chrome Trim  
OD: 4-1/4" [108mm]



**3020**

**Wall Wash  
50W 120V GU10**  
3020WW=White Downlight & Wall Wash  
with Integral Kick Reflector  
OD: 4-1/4" [108mm]

**Accessories**

**Lamp**  
Z28= GU10, 50W, 120V lamp