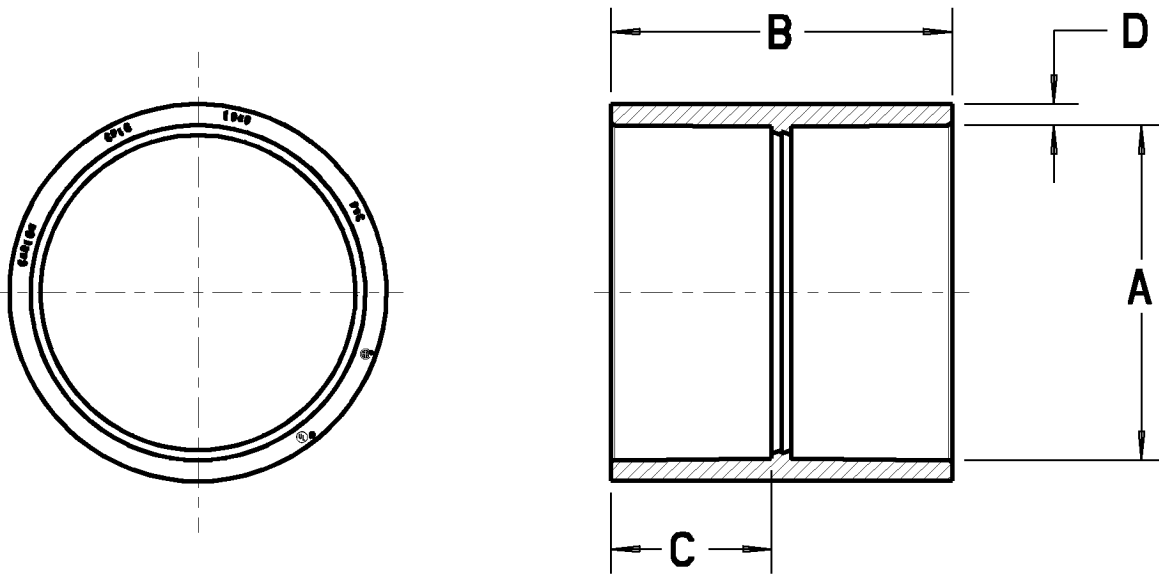


Carlton®



SIZE	PART NO. SEE NOTE 1	PART NO. SEE NOTE 2	DIM. A	DIM. B	DIM. C	DIM. D
1/2"	E940D					
	E940D10-UPC					
	E940D15L	--	.85 [21.6]	1.42 [35.8]	.68 [17.3]	.11 [3.4]
	E940D-CTN					
	E940DR.CTN E940DRL					
3/4"	E940E					
	E940E15L					
	E940E5-UPC	--	1.06 [26.9]	1.60 [40.6]	.75 [19.1]	.13 [3.3]
	E940E-CTN					
	E940ER-CTN E940ERL					
1"	E940F					
	E940FR5					
	E940FR-CTN	--	1.33 [33.8]	1.91 [48.5]	.90 [22.8]	.13 [3.3]
	E940FRL					

GENERAL NOTES

- ALL DIMENSIONS ARE FOR REFERENCE ONLY.
- DIMENSIONS IN BRACKETS [] ARE IN METRIC UNITS.

REVISIONS

*** SEE ERN (****) FOR APPROVAL SIGNATURES & RELEASE DATE.
PROJECT NO: ****

Thomas & Betts
www.tnb.com

DESCRIPTION:

**STANDARD COUPLINGS
SCHEDULE 40**

ORIGINAL PROJECT NO / (ERN NO)

/ ()

SHEET NO:

1 OF 2

REV. NO:

B

DRAWING NO:

WSD-AC03922

Carlton®

SIZE	PART NO. SEE NOTE 1	PART NO. SEE NOTE 2	DIM. A	DIM. B	DIM. C	DIM. D
1-1/4"	E940G E940GRCL E940GR-CTN E940GRL	SCE940G	1.67 [42.4]	2.13 [54.1]	.97 [24.6]	.15 [3.8]
1-1/2"	E940H E940HRCL E940HR-CTN E940HRL	SCE940H	1.92 [48.8]	2.44 [61.9]	1.13 [28.7]	.15 [3.8]
2"	E940J E940JRCL E940JR-CTN E940JRL	SCE940J	2.39 [60.7]	2.44 [61.9]	1.15 [29.2]	.15 [3.8]
2-1/2"	E940K E940K-CAR E940K-CTN E940KL	--	2.89 [73.4]	3.19 [81.0]	1.50 [38.1]	.21 [5.3]
3"	E940L E940LR E940LRL	--	3.52 [89.4]	3.45 [87.6]	1.63 [41.4]	.25 [6.4]
3-1/2"	E940M	--	4.02 [102.1]	3.67 [93.2]	1.71 [43.4]	.25 [6.4]
4"	E940N E940N-CAR	--	4.52 [114.8]	3.77 [95.6]	1.78 [45.2]	.27 [6.9]
5"	E940P	--	5.59 [142.0]	4.16 [105.7]	1.97 [50.0]	.28 [7.1]
6"	E940R	--	6.66 [169.2]	4.57 [116.1]	2.15 [54.6]	.32 [8.1]

NOTES:

1. MATERIAL: GRAY PVC
2. MATERIAL: ORANGE PVC

Thomas & Betts
www.tnb.com

DESCRIPTION:

**STANDARD COUPLING
SCHEDULE 40**

SHEET NO:

2 OF 2

REV. NO:

B

DRAWING NO:

WSD-AC03922