



BZE6-2RN18



Actual product appearance may vary.

Enclosed Switches Series E6: Wobble - Coil Spring Actuator; 1NC 1NO SPDT Snap Action; 0.5 in - 14NPT conduit

Features

- Side or flange mount
- Momentary or maintained contact
- Grounding screw
- High capacity (22 amp) available
- Temperature range -32 °C to +71 °C [-25 °F to +160 °F]
- Zinc Die-Cast housing NEMA 1
- UL Recognized, file #E12252
- CSA Certified, file #LR41372
- NEMA 1, 3, 4 /IP66
- Pre-leaded or connector termination options

Potential Applications

- Packaging equipment
- Special machinery
- Textile machinery
- Conveyors
- Construction machinery and equipment
- Printing trades machinery
- Overhead cranes and hoists

Description

MICRO SWITCH™ E6 (side mount) and V6 (flange mount) switches are offered with or without actuator seal boots. Both have a combination insulator/seal cemented inside the bottom enclosure. Lead washers are used to seal the mounting holes on side mount switches. All side mount switches are installed with #6 screws, except the BZE6-2RN7 (#8 screws). Removal of the bottom enclosure exposes the terminals for easy wiring.

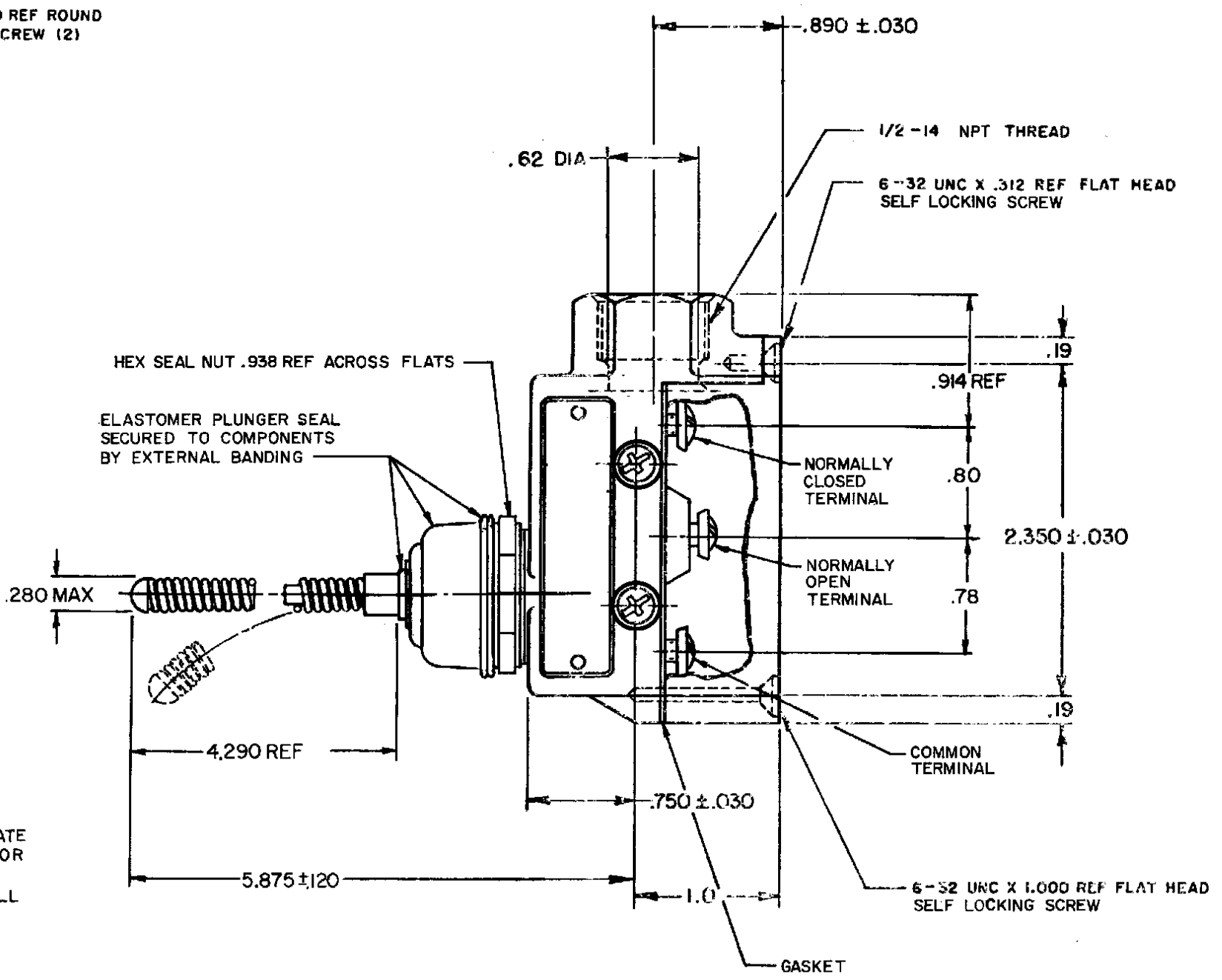
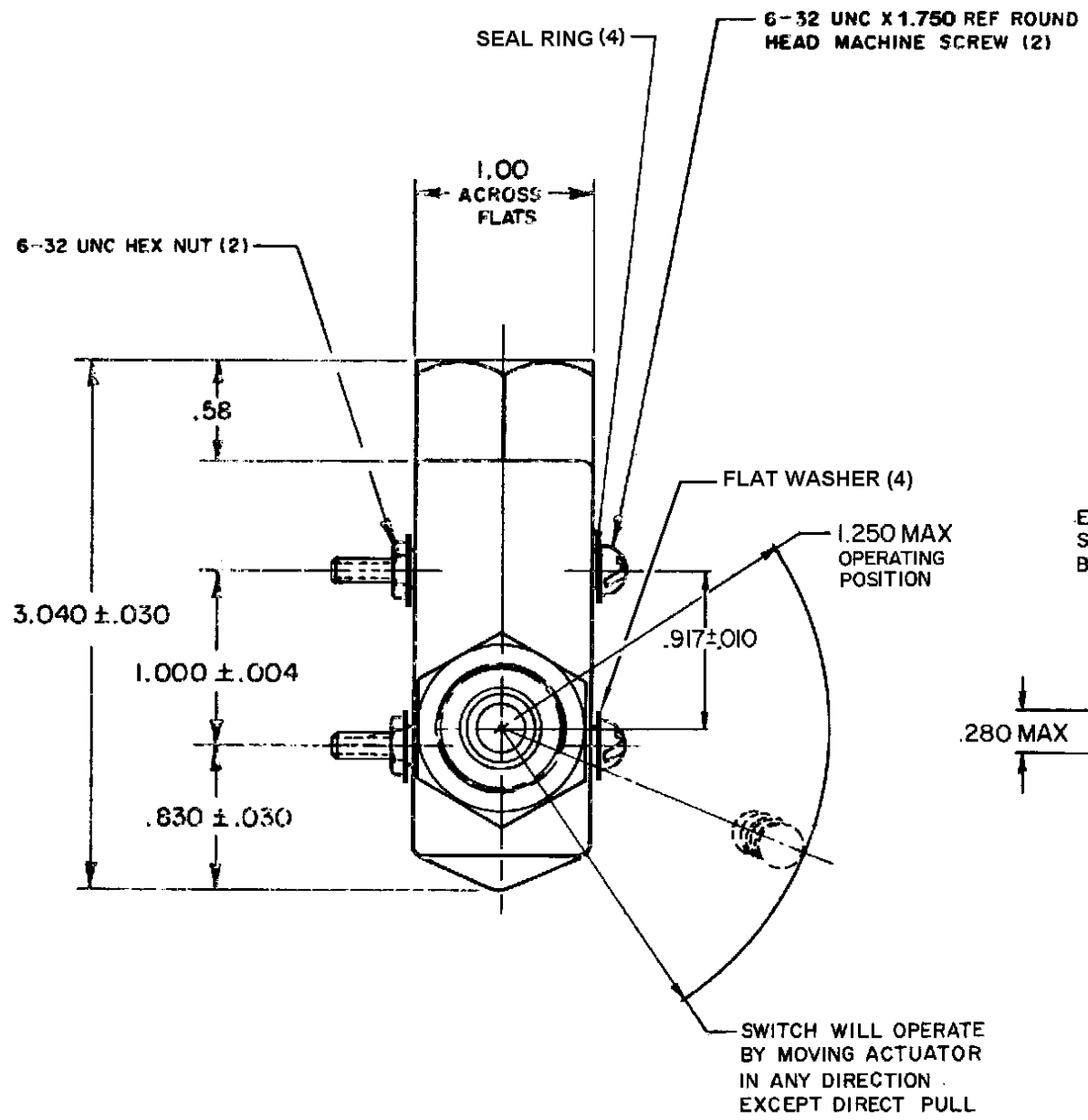
Product Specifications	
Availability	Global
Operating Force (O.F.)	1,95 N max. [7 oz max.]
Pretravel (P.T.)	15° max.
Product Type	Enclosed Switches
Actuator	Wobble - Coil Spring
Circuitry	1NC 1NO SPDT Snap Action
Ampere Rating	15 A Ind./2 A Ind./0.5 A Res./0.25 A Res.
Supply Voltage	125 Vac, 250 Vac, 480 Vac/600 Vac/125 Vdc/250 Vdc
Housing Material	Zinc Die-Cast
Termination Type	0.5 in - 14NPT conduit
Housing Type	Split Housing, Side Mount
Series Name	E6/V6
Sealing	NEMA 1, 3, 4 /IP66
Approvals	UL recognized, CSA certified
CSA File #	LR41372
UL File #	E12252
Operating Temperature Range	-32 °C to 71 °C [-25 °F to 160 °F]
Comment	With seal boot on plunger; Coil spring 5.875" long from center of mounting holes to end of spring
UNSPSC Code	302119
UNSPSC Commodity	302119 Switches and controls and relays
Sealed	Industrial

MICRO SWITCH
A DIVISION OF MINNEAPOLIS-HONEYWELL REGULATOR COMPANY
PREEPORT, MINN. 55968

SWITCH - ENCLOSED

CATALOG LISTING
BZE6-2RN18

BZE6-2RN18
 DRAWING NUMBER
 14
 ISSUE
 29AUG07
 PSR
 CHECK
 23AUG06
 DVM
 12 JAN 82
 CHECK
 16 FEB 84
 8 NOV 94
 30 MAY 95
 4 SEP 92
 17 FEB 94
 22 NOV 05
 RASTER
 DRAWN
 13 AUG 71
 CHECK
 17 AUG 71
 71
 REPLACES
 RELEASE NO. PR-2045



THIS DRAWING COVERS A PROPRIETARY ITEM AND IS THE PROPERTY OF MICRO SWITCH, A DIVISION OF MINNEAPOLIS-HONEYWELL REGULATOR CO. THIS DRAWING IS NOT TO BE COPIED OR USED WITHOUT THE APPROVAL OF MICRO SWITCH.

CHARACTERISTICS	ELECTRICAL DATA	SCALE FULL
OPERATING FORCE ----- 7 OZ MAX	CONTACT ARRANGEMENT S P D T	DO NOT SCALE PRINT
OPERATING POSITION ----- 15° MAX	15A 125, 250 OR 480 VAC, 2A 600 VAC 1/8HP 125 VAC, 1/4HP 250 VAC 1/2A 125 VDC, 1/4A 250 VDC CE 1.5A, 240 Vac	UNLESS OTHERWISE SPECIFIED DIMENSIONS ARE IN INCHES
SWITCH BASIC REPLACEMENT ----- BZ-2R-A2		TOLERANCES ARE: ONE PLACE (.0) ± .030 TWO PLACE (.00) ± .015 THREE PLACE (.000) ± .005 ANGLES ±
		WEIGHT

- NOTE -
- 1 - 6-32 UNC X .219 REF TERMINAL SCREW AND CUPWASHER (3)
 - 2 - SEAL RATING: NEMA 1,3,4 IP66