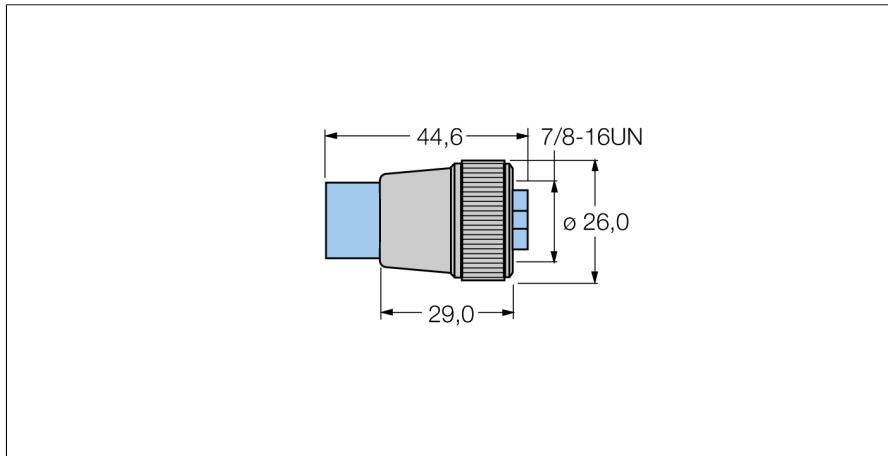


Accessories for Fieldbus Systems

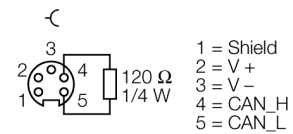
Bus termination resistor

RKM 57-TR2



- Type: 7/8" female connector, 5-pin
- For use in CAN (DeviceNet™, CANopen) applications
- Rated voltage: 300 VDC (max. 7.6 VDC on pins with resistor)
- Internal resistor 120 Ω, 1/2 W
- Protection class: NEMA 1, 3, 4, 6P and IEC IP67
- Temperature range: -40 °C...+80 °C

Pin Assignment



Type designation	RKM 57-TR2
Ident-No.	U0102-1
Ident-No (TUSA)	U0102-1

Connector A	Female, 7/8", Straight
Number of contacts	5
Contacts	Brass, CuZn, Gold-plated
Contact carriers	Plastic, TPU, Blue
Connector body	Plastic, TPU, Blue
Protection class	When coupled - IP67, (screwed together)

Rated voltage	300 V
----------------------	-------

Temperature range (static)	-40...+80 °C
-----------------------------------	--------------