



With
EZ Connect™

FG5 FILTERGLOW® 400 LUMINAIRE

High Bay, Enclosed – Optical Sliding Disconnect Series

APPLICATIONS

- For over 20 ft. (6 meter) applications in factories, foundries, machine shops, and other industrial environments

SPECIFICATION FEATURES

- 1598 Listed
- Suitable For Damp Locations
- Listed to Canadian standards and codes
- Enclosed and gasketed optics
- Clear tempered door-glass lens
- Charcoal filtered optics
- Unique optical sliding disconnect
- 55° C ambient, standard
- In-line EZ Connect™ plug-in adapter port allows for:
 - hook/loop, cord & NEMA plug
 - plug-in diagnostics capability
 - plug-in modular wiring systems
 - plug-in fuse kits
- Symmetrical heavy-duty die-cast aluminum ballast housing with polyester powder gray or white paint finish
- Single casting integral hook/loop and mounting plate is available
- Threaded slide-in mounting adapter for easy mounting
- Adjustable mogul base socket -E39 standard
- ALGLAS® finish on faceted reflector
- Safety chain provisions
- Shipped as components: Ballast, Optical. Magnapack available for ballast
- See Technical Section
- Pulse start system for metal halide available. See Page I-131

INDOOR LIGHTING

ORDERING NUMBER

FG5	G	40	S	0	A	E7	EX	11	B
PRODUCT IDENT	COLOR	WATTAGE	LIGHT SOURCE	VOLTAGE	BALLAST TYPE	OPTICAL CODE	PHOTOMETRY CODE	MOUNTING CODE	OPTIONS
XXX	X	XX	X	X	X	XX	XX	XX	X
FG5 = Filterglow 400 Luminaire	G = Gray W = White	25 = 250 32 = 320 35 = 350 40 = 400	E = Energy Act Compliant Pulse MH (EPMH) S = HPS For International Markets only M = MH P = Pulse Start MH Note: Lamp is vertical base up. Lamp not included.	60Hz 0 = 120/208/240/277 MULTIVOLT 1 = 120 2 = 208 3 = 240 4 = 277 5 = 480 D = 347 F = 120X347 T = 220 50Hz 6 = 220 R = 230 Y = 240 G = 380	See Ballast Selection Table A = Autoreg D = System 3 Bilevel Autoreg (See Technical Section) G = CANADIAN Mag-Reg (Grounded Socket Shell) H = HPF Reactor or Lag L = Super Low Loss Autoreg M = Mag-Reg	E7=Enclosed 17 in. Reflector E2=Enclosed 22 in. Reflector	XX = Select Code Below	XX = Select Code Below 11 = Pendant mounting 13 = Provision for Slide-on Primary Electrical Disconnect. Order TWPBP Box (Thru Feed Capability Only) Separately. (Not available with D and W option) 14 = Provision for Slide-on Primary Electrical Disconnect. (Pendant and Thru Feed Capability) Order PED Box Separately (Not available with D and W option) 15 = Prewire with EZ-Loop, Cord and Plug Part of "Power Hook". Order Receptacle/Hook Box Separately. (Not CSA/CUL) 31 = Prewire with EZ-Hook, 3-ft (0.9 Meters) #16/3 Cord, and Nema Plug 33 = Prewire with EZ-Loop, 3-ft (0.9 Meters) #16/3 Cord, and Nema Plug (Order locking receptacle hook box separately.) 67 = Pendant, Nut and Hanger Hub Mounting. (For use with "D" or "W", Wet Locations Option, only) (See pages I-153 and I-154 for details) MODULAR PREWIRE 41 = ACS with 3-ft (0.9 meter) cord & EZ-Hook 69 = ACS with 6-ft (1.8 meter) cord & EZ-Hook 43 = ACS with 3-ft (0.9 meter) cord & EZ-Loop 70 = ACS with 6-ft (1.8 meter) cord & EZ-Loop 44 = ACS with 9-ft (2.7 meter) cord & EZ-Loop PLUG-N-GO 51 = Plug-N-Go with 3 ft. (0.9 meter) Cord & Hook 71 = Plug-N-Go with 6 ft. (1.8meter) Cord & Hook 53 = Plug-N-Go with 3 ft. (0.9 meter) Cord & Loop 72 = Plug-N-Go with 6 ft. (1.8 meter) Cord & Loop Note: ACS = Flex 3+ Plug-N-Go = FSC Series	A = 65°C maximum ambient* B = Time Delay Automatically Switched Quartz D = Severe Duty (meets Wet Location) (For use with Mounting Code 67 only) F = Fusing (Not available with D or W option) G = Secondary Wiring Access. 7/8 in. dia. knockout (Not available with D or W option) Q = Non-Time Delay Automatically Switched Quartz R = Non-Switched Quartz T = E40 / European Socket W = Wet Location (For use with Mounting Code 15 and 67 only) Y = Solo Bilevel Port (See page I-102)

PHOTOMETRIC SELECTION TABLE

E7 OPTICAL - Enclosed 17 in. Reflector						
Wattage	Light Source	Spacing Criteria	Socket Position	Photometric Curve	Optical Code	Photometry Code
250, 320*	EPMH	1.3	1	176084	E7	EM
350, 400	EPMH	1.1	11	174961	E7	EX
350, 400	EPMH	1.3	9	174962	E7	EU
350, 400	EPMH	1.6	5	177096	E7	EQ
350, 400	EPMH (Coated)	1.0	11	174955	E7	EX
350, 400	EPMH (Coated)	1.5	7	174957	E7	ES
350, 400	EPMH (Coated)	1.9	3	174958	E7	EO
250 - 400	HPS	1.0	5	174965	E7	EQ
250 - 400	HPS	1.4	3	174966	E7	EO
E2 OPTICAL - Enclosed 22 in. Reflector						
Wattage	Light Source	Spacing Criteria	Socket Position	Photometric Curve	Optical Code	Photometry Code
350, 400	EPMH	0.7	7	174959	E2	ES
350, 400	EPMH (Coated)	0.7	11	174953	E2	EX
250 - 400	HPS	0.7	2	174963	E2	EN

*320 watt, ED28 pulse start MH

FG5 FILTERGLOW® 400 LUMINAIRE

High Bay, Enclosed

DIMENSIONS

- When optical assembly contains a quartz socket (switched or non-switched), an additional 1.125 inches (29mm) must be added to the overall height due to double stack disconnect.
- For wet location dimensions 1.72 inches (44mm) must be added to overall height.

NOTES

See explanation on "Optical Flexibility" Page I-5. See References.

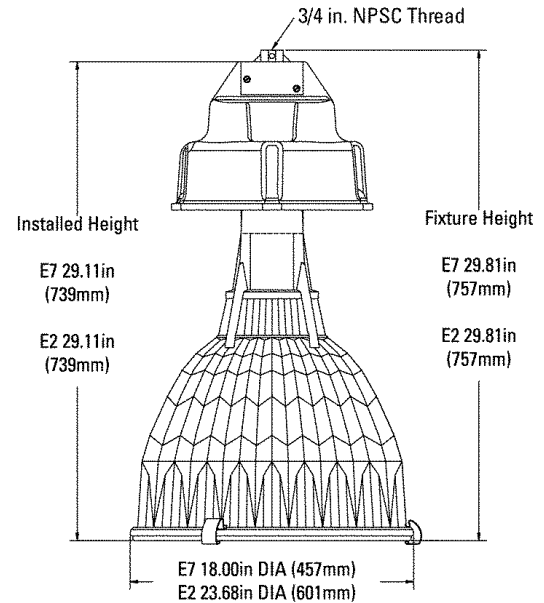
REFERENCES

See Page I-104 for start of Accessories.

See Page I-117 for Component Ordering Logic.

See Page I-129 for Explanation of Options and Other Terms Used.

FIXTURE DIMENSIONS



DATA

Approximate Net Weight Ballast and Optical	lbs 30-45	kgs 14-20
---	--------------	--------------

BALLAST SELECTION TABLE

Wattage	Light Source	Ballast Type / Voltage								
		Multivolt	60HZ			50HZ				
			120, 208 240, 277 480	347	120 x 347	220	220	230	240	380
250	HPS	A,M	A,D,G,L,M	A,D,G,L	A	A,H	A,H,M	A,H	A,H	M
400	HPS	A,M	A,D,G,L,M	A,D,G,L	A	A,H	A,H,M	A,H,M	A,H,M	M
250	MH	A	A,D,L	A,D,L	A	A	A	A	A	N/A
400	MH	A	A,D,L	A,D,L	A	A	A	A	A	N/A
PULSE START METAL HALIDE LIGHT SOURCE										
BALLAST SELECTION TABLE										
250	EPMH	A	A	A	N/A	N/A	N/A	N/A	N/A	N/A
320	EPMH	A	A	A	N/A	N/A	N/A	N/A	N/A	N/A
350	EPMH	A	A	A	N/A	N/A	N/A	N/A	N/A	N/A
400	EPMH	A	A	A	N/A	N/A	N/A	N/A	N/A	N/A

NOTE: N/A = Not Available

* H is HPF-Linear Reactor available as 277 volt only.

Cannot be used with Automatic Switch Quartz Option.

CANADIAN NOTES:

1. "A", Autoreg, and "D", Bilevel Autoreg available 120, 277 or 347 volts only
2. 208, 240, and 480 volts require CWI ballast. Use "G" when available. Contact factory for all others.
3. Multivolt not available.
4. 208, 240 and 480 volts with "G" ballast not available with switched quartz.