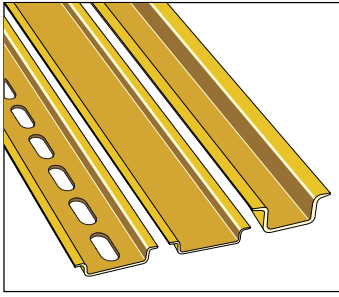


Mounting rails Symmetrical - DIN 3



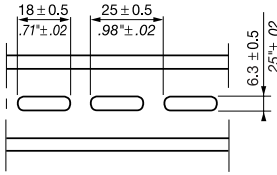
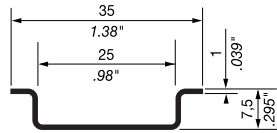
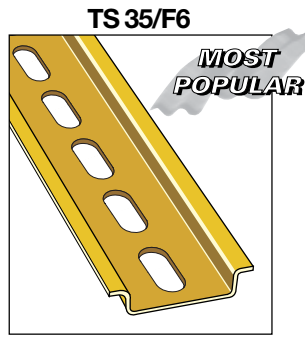
These rails are often used as grounding bars. The current carrying capacity of these rails and the copper wire sizes required to carry that current are given below.

RAIL CURRENT CARRYING CAPACITY

Rail	Material	Current		Wire size	
		(A)	AWG	mm ²	
TS 35/F6	Steel	65	8	10	
TS 35	Steel	87	6	16	
TS 35/S	Steel	87	6	16	
TS 35	Aluminum	265	000	95	
TS 35	Copper	150	0	50	
TS 35	Plastic	0			

All rails are in compliance with EN 50022 standard (DIN 46277-3 - NFC 63015) DIN 3.

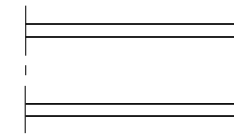
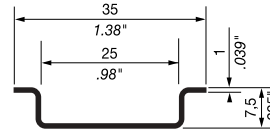
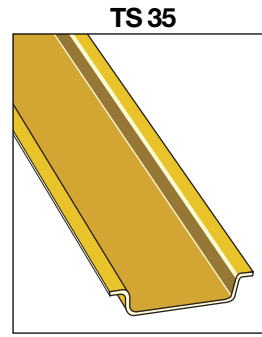
Tolerances are ± unless otherwise noted.



Type	P/N
------	-----

PR30 (TS 35/F6) 0173 220.05
Zinc bichromate plated steel, prepunched length 2 m 6'6" (78") approx. The length and prepunched cut out dimensions are approximate.

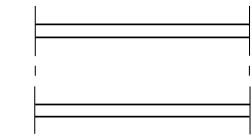
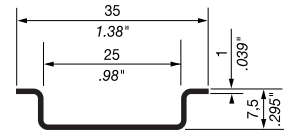
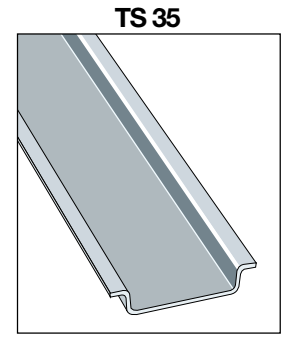
PR30 (TS 35/F6) 0101 508.04
Length 1 m 3'3" (39") approx.



Type	P/N
------	-----

PR3.Z2 (TS 35) 0174 300.17
Zinc bichromate plated steel. Length 2 m 6'6" (78") approx.

PR3.Z2 (TS 35) 0101 513.10
Length 1 m 3'3" (39") approx.

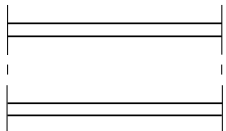
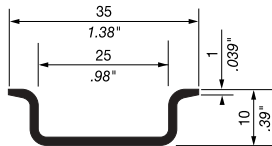
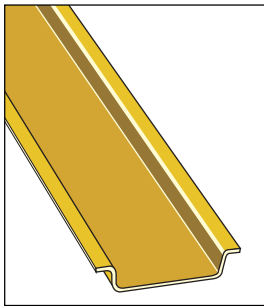


Type	P/N
------	-----

PR3.G2 (TS 35) 0177 170.07
White, passivated galvanized steel. Length 2 m 6'6" (78") approx.

PR3.G2 (TS 35) 0101 514.11
Length 1 m 3'3" (39") approx.

TS 35/S

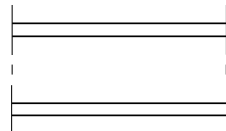
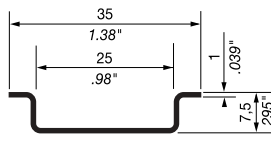
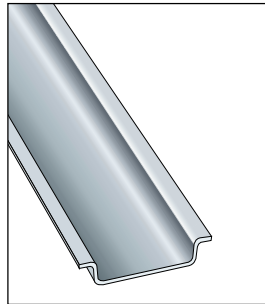


Type	P/N
------	-----

PR3.10 (TS 35/S) 0101 597.15
Zinc bichromate plated steel. Height 10 mm (0.39"), length 2 m 6'6" (78") approx.

PR3.10 (TS 35/S) 0101 512.17
Length 1 m 3'3" (39") approx.

TS 35 Aluminum Rail

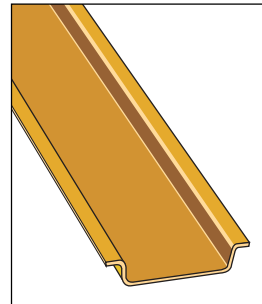


Type	P/N
------	-----

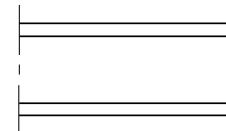
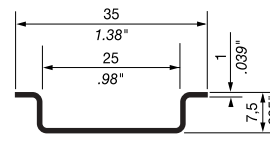
PR3.AL (TS 35) 0101 589.25
Aluminum rail. Length 2 m 6'6" (78") approx.

PR3.AL (TS 35) 0101 500.24
Length 1 m 3'3" (39") approx.

TS 35 Copper Rail



Sold in North America only.

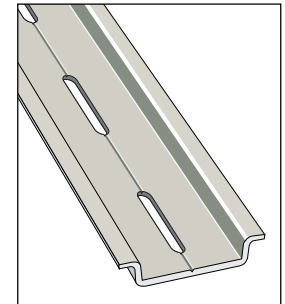


Type	P/N
------	-----

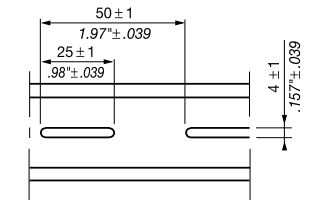
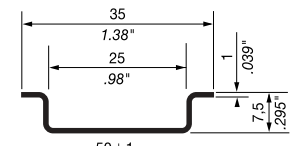
PR3.CU (TS 35) 0101 592.10
Copper rail. Length 2 m 6'6" (78") approx.

PR3.CU (TS 35) 0101 595.13
Length 1 m 3'3" (39") approx.

TS 35 Plastic Rail



Sold in North America only.
Rail material UL94 V0

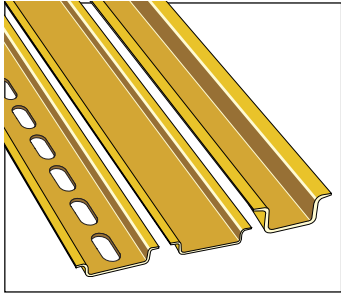


Type	P/N
------	-----

PR3.PL (TS 35) 0101 573.24
Plastic rail, prepunched length 2 m 6'6" (78") approx. The length and prepunched cut out dimensions are approximate.

PR3.PL (TS 35) 0101 572.23
Length 1 m 3'3" (39") approx.

Mounting rails Symmetrical - DIN 3



These rails are often used as grounding bars. The current carrying capacity of these rails and the copper wire sizes required to carry that current are given below.

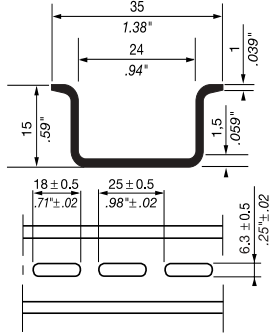
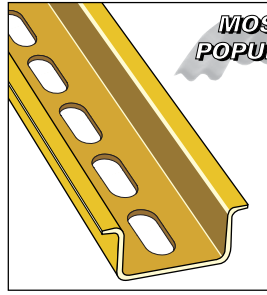
RAIL CURRENT CARRYING CAPACITY

Rail	Material	Current (A)	Wire size AWG	mm ²
TS 35/CF6	Steel	125	4	25
TS 35/C1	Steel	143	2	35
TS 35/C	Steel	125	4	25
TS 35/C ALU	Aluminum	265	000	95
High rail 90°	Steel	65	8	10
High rail 30°	Steel	65	8	10

All rails are in compliance with EN 50022 standard (DIN 46277-3 - NFC 63015) DIN 3.

Tolerances are ± unless otherwise noted.

TS 35/CF6



Type	P/N
------	-----

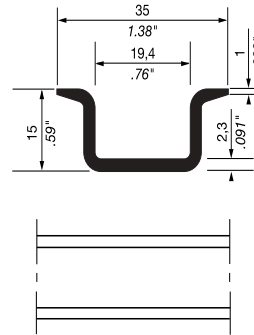
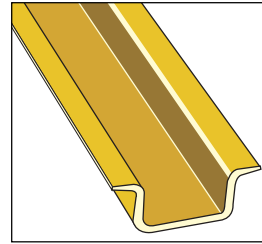
PR5 (TS 35/CF6) 0101 598.26

Zinc bichromate plated steel, prepunched length 2 m 6'6" (78") approx. The length and prepunched cut out dimensions are approximate.

PR5 (TS 35/CF6) 0101 509.05

Length 1 m 3'3" (39") approx.

TS 35/C1



Type	P/N
------	-----

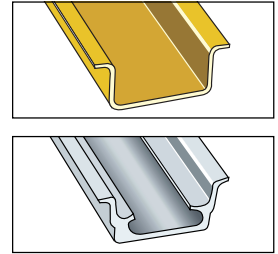
PR4 (TS 35/C1) 0168 500.12

Zinc bichromate plated steel. Length 2 m 6'6" (78") approx.

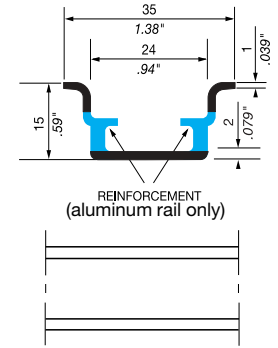
PR4 (TS 35/C1) 0101 517.14

Length 1 m 3'3" (39") approx.

TS 35/C



TS 35/C ALU



Type	P/N
------	-----

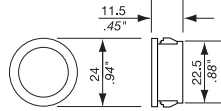
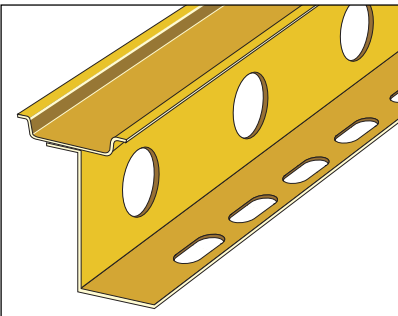
PR5 (TS 35/C) 0168 700.22

Zinc bichromate plated steel. Length 2 m 6'6" (78") approx. Length 1 m 3'3" (39") approx.

PR5.A2 (TS 35/C ALU) 0101 502.26

Reinforced aluminum. Length 2 m 6'6" (78") approx. Length 1 m 3'3" (39") approx.

TS 35, High Rail 90°

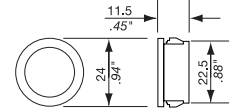
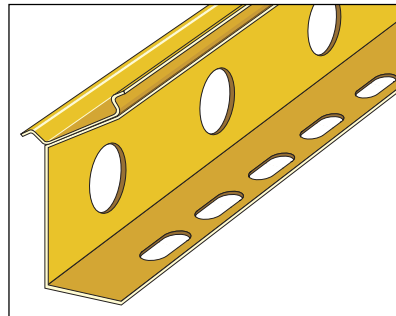


Insert for rail knockout:

Open grommet, black 0106 064.26
Closed blind plug, black 0106 083.12

Sold in North America only.

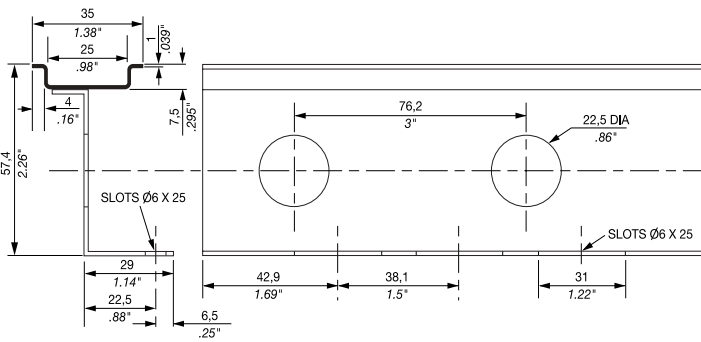
TS 35, High Rail 30°



Insert for rail knockout:

Open grommet, black 0106 064.26
Closed blind plug, black 0106 083.12

Sold in North America only.



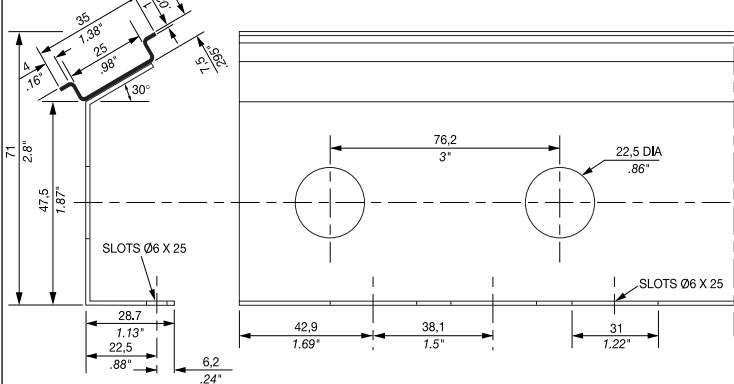
Type	P/N	Type	P/N
------	-----	------	-----

PR3.Z2 HR90 0101 571.02

Zinc bichromate plated steel, prepunched length 2 m 6'6" (78") approx. The length and prepunched cut out dimensions are approximate.

PR3.Z2 HR90 0101 570.01

Zinc bichromate plated steel. Length 1 m 3'3" (39") approx.



Type	P/N	Type	P/N
------	-----	------	-----

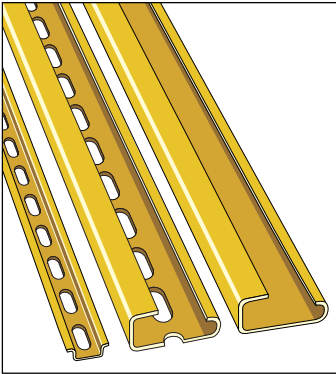
PR3.Z2 HR30 0101 875.23

Zinc bichromate plated steel, prepunched length 2 m 6'6" (78") approx. The length and prepunched cut out dimensions are approximate.

PR3.Z2 HR30 0101 874.22

Zinc bichromate plated steel. Length 1 m 3'3" (39") approx.

Mounting rails
Asymmetrical - DIN 1
Symmetrical - DIN 2

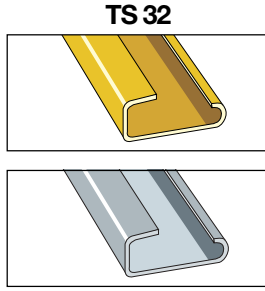


The "Series 5000" terminal blocks snap onto the PR1 asymmetrical DIN 1 rails described here.

The "Series DR" terminal blocks snap onto the PR2 symmetrical DIN 2 rail described here.

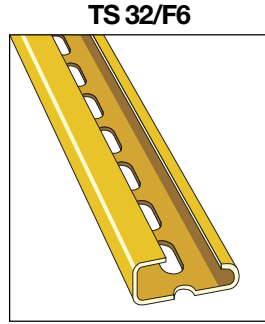
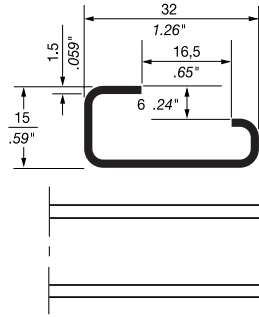
These rails are often used as grounding bars. The current carrying capacity of these rails and the copper wire sizes required to carry that current are given below.

Rail	Material	Current (A)	Wire size AWG	mm ²
TS 32	Steel	143	2	35
TS 32 ALU	Aluminum	265	000	95
TS 32/F6	Steel	100	4	25
TS 15/F	Steel	35	12	4
TS 15	Steel	47	10	6

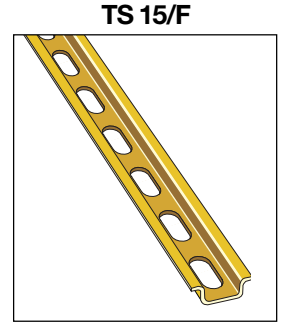
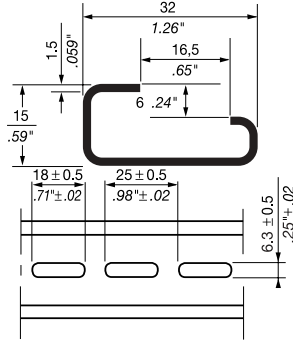


TS 32 ALU

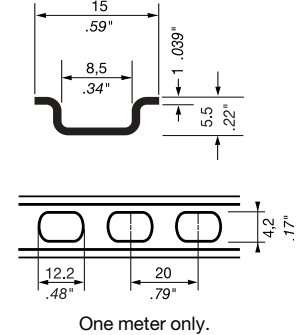
Asymmetrical 32 mm 1.26" G rail in compliance with EN 50035 standard (DIN 46277-1 - NFC 63018) DIN 1



Asymmetrical 32 mm 1.26" G rail in compliance with EN 50035 standard (DIN 46277-1 - NFC 63018) DIN 1



Symmetrical rail 15 mm .59" in compliance with EN 50045 standard (DIN 46277.2)



One meter only.

Type	P/N	Type	P/N	Type	P/N
PR1.Z2 (TS 32)		PR1 (TS 32/F6)		PR2 (TS 15/F)	0101 673.00
Zinc bichromate plated steel.		Prepunched zinc bichromate plated steel.		Prepunched zinc bichromate plated steel.	
Length 2 m 6'6" (78") approx.	0163 050.04	Length 2 m 6'6" (78") approx.	0101 501.25	Length 1 m 3'3" (39") approx.	
Length 1 m 3'3" (39") approx.	0101 596.14	Length 1 m 3'3" (39") approx.	0101 511.16		
PR1.A2 (TS 32 ALU)				PR2 (TS 15)	0101 674.01
Aluminum alloy				Zinc bichromate plated steel.	
Length 2 m 6'6" (78") approx.	0167 120.23			Not prepunched.	
Length 1 m 3'3" (39") approx.	0101 603.07			Length 1 m 3'3" (39") approx.	

Rail tolerances

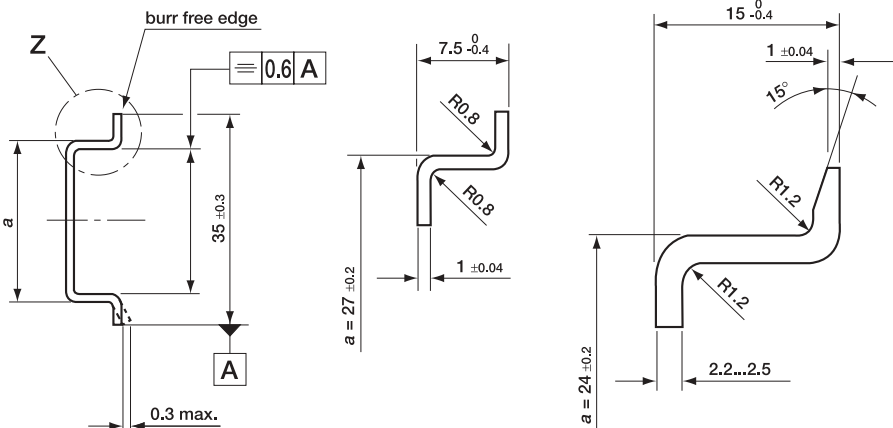
Symmetrical - DIN 3

Rail length: supplied in lengths of 1 or 2 meters or in custom cut lengths. Allow 3 mm for the rail cutting blade thickness.

Shown for DIN rails 35 mm wide and either 7.5 mm or 15 mm high. For other rail tolerances, contact Entrelec.

Dimensions apply over the whole length of the DIN rail, but shall not be verified anywhere less than 10 mm from the ends.

All dimensions in millimeters.



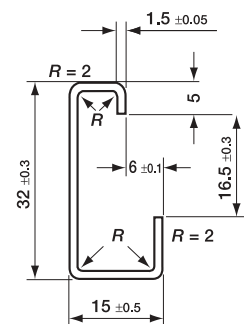
Asymmetrical - DIN 1

Rail length: supplied in lengths of 1 or 2 meters or in custom cut lengths. Allow 3 mm for the rail cutting blade thickness.

Shown for DIN 1 rails 32 mm wide and 15 mm high.

Dimensions apply over the whole length of the DIN rail, but shall not be verified anywhere less than 10 mm from the ends.

All dimensions in millimeters.

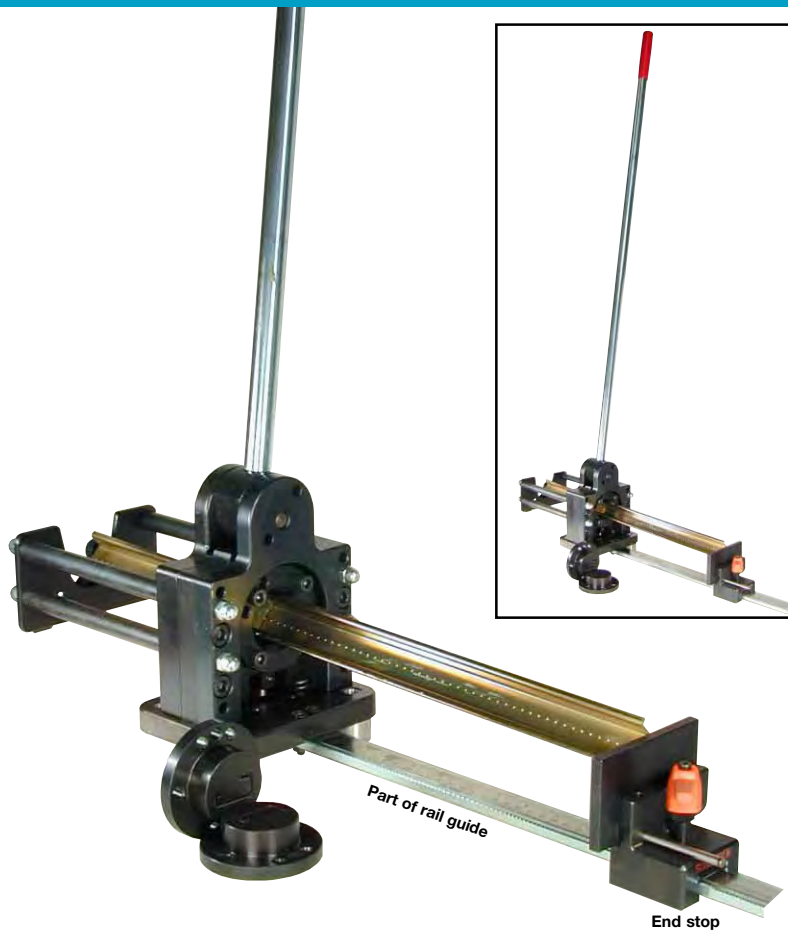


Rail cutter - Single interchangeable die

Model	Description	P/N
ALC 01 S	Manual rail cutter (order dies separately)	0360 004.28
ALC 32	Cutting die for TS32 DIN 1 rail	0329 030.06
ALC 35	Cutting die for TS35 DIN 3 low rail	0329 031.23
ALC 35C	Cutting die for TS35C DIN 3 high rail	0329 032.24
ALC 15	Cutting die for TS15 DIN 2 rail	0329 033.25
ALC 1	Rail guide	0329 034.26

Low cost, bench top rail cutter for a single rail die for manually cutting DIN rails to custom lengths. Tool is intended for use where only one type of DIN rail profile is usually cut. Four standard rail dies are available which may be manually interchanged in the tool. Guide plate facilitates insertion of rails and provides rail support. Length indicator rod calibrated for easy and direct reading. Tool requires only minor assembly of 1 meter (39.4") handle, die, length indicator rod, and end-stop plate. Cuts both standard and nonstandard rail materials. Tool may be used to punch 6.3 mm x 13 mm (approx. 1/4 x 1/2 inch) openings at any position on the axis of the rail. Easily portable.

- Interchangeable dies for cutting/punching various rail sizes
- Simple assembly and operation
- Base plate for bench mounting
- Optional rail guide and rail stop
- Direct reading rail length indicator (with rail guide)
- Instruction booklet and mounting keys



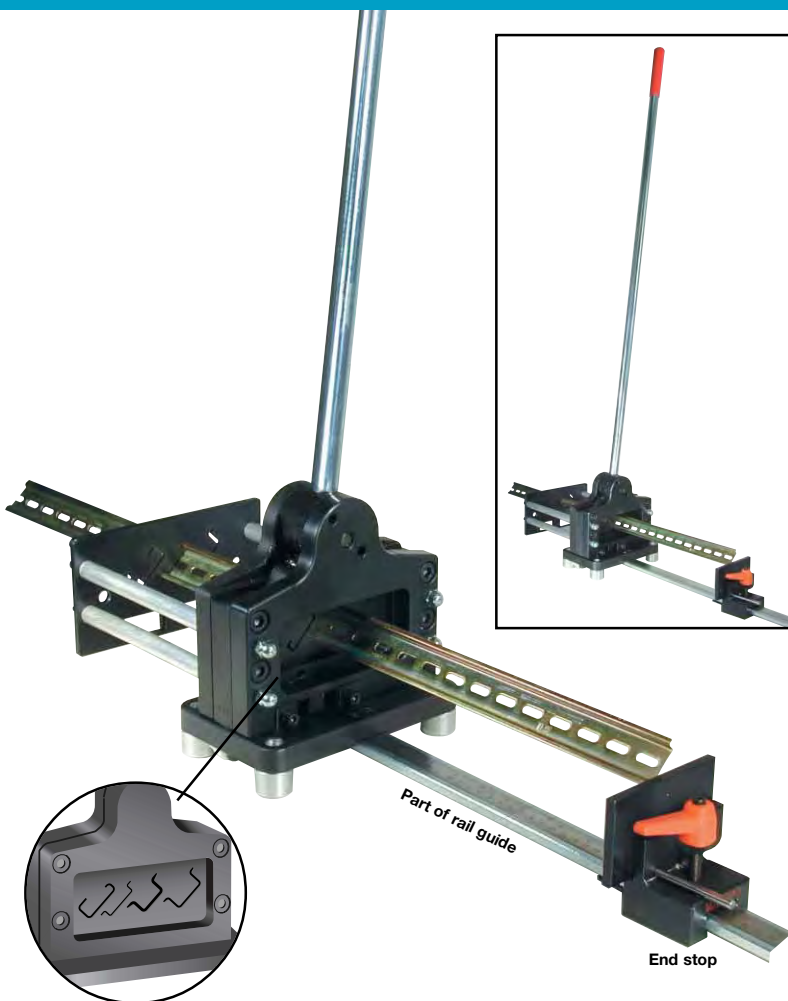
Rail cutter - Four built-in dies

Model	Description	P/N
A3001	Rail cutter, 4 rails, manual	0306 454.02
A3001H	Rail cutter, 4 rails, hydraulic	XUS0 004.65

No additional accessories required.

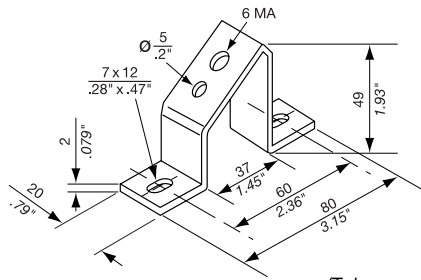
Bench top rail cutter with four built-in dies for manual or hydraulic cutting of DIN rails to custom lengths. Tool is intended for use where multiple DIN rail profiles are to be cut without changing the die. Unit accommodates four types of rails: DIN 1, DIN 2, DIN 3 Low, and DIN 3 High. Tool comes complete with rail guides and no additional accessories are required. Guide plate facilitates insertion of rails and provides rail support. Length indicator rod calibrated for easy and direct reading. Tool requires only minor assembly of 1 meter (39.4") handle, die, length indicator rod, and end-stop plate and is easily portable. Cuts both standard and non-standard rail materials. Tool may be used to punch 6.3 mm x 13 mm (approx. 1/4 x 1/2 inch) openings at any position on the axis of the rail.

- Four built-in dies for cutting/punching various rail sizes
- Simple assembly and operation
- Base plate for bench mounting
- Rail guide and rail stop included
- Direct reading rail length indicator
- Instruction booklet and mounting keys.



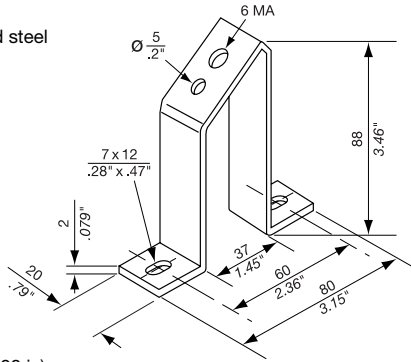
Rail offset brackets, angled

Zinc bichromate plated steel

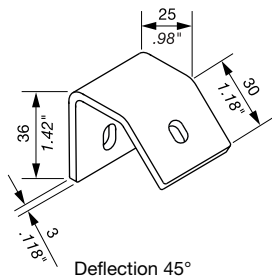
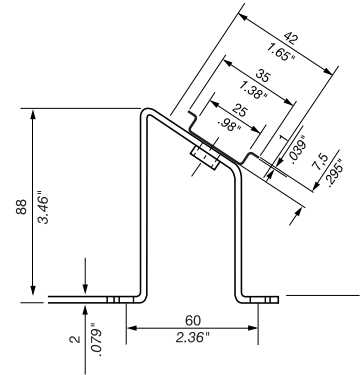


(Tolerance ±2 mm, ±0.08 in)

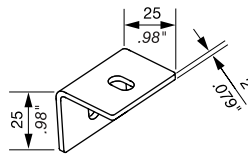
TS4-SM6 0306 022.24



TS8-SM6 0306 023.25



TS.45 0008 521.26

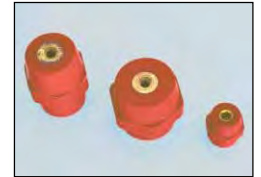


TS.90 0008 520.01

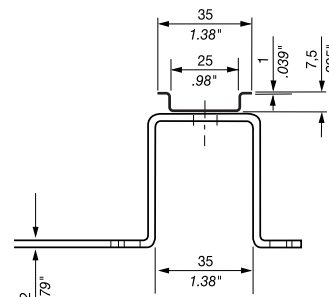
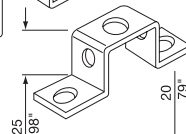
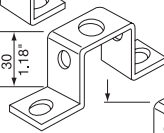
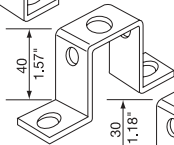
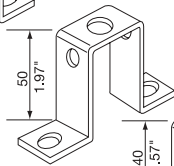
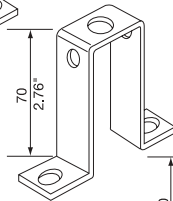
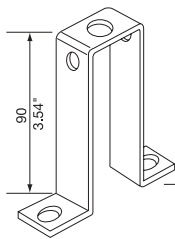
DIN rail spacer/isolator

Ceramic style spacer isolates a DIN rail from the chassis. Brass threaded inserts, at each end of the isolator, allow you to screw attach the isolator to the chassis and DIN rail.

Height	P/N	
	mm	in
20	0.79	0106 393.20
25	0.98	0106 394.25
30	1.18	0106 395.30
40	1.57	0106 396.40
50	1.97	0106 397.50
60	2.36	0106 398.60
70	2.76	0106 399.75



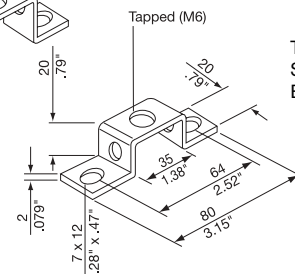
Rail offset brackets, vertical offset



Top mounted rail

Type	Height		Old P/N	New P/N
	mm	in		
TS 0201-SM6	20	0.79	304 200.26	0101 653.04
TS 0251-SM6	25	0.98	N/A	0101 930.22
TS 0301-SM6	30	1.18	N/A	0101 654.05
TS 0401-SM6	40	1.57	304 201.13	0101 655.06
TS 0501-SM6	50	1.97	N/A	0101 656.07
TS 0706-SM6	70	2.76	304 202.14	0101 657.00
TS 0904-SM6	90	3.54	304 203.15	0101 658.11
Screw SM6*			304 234.03	0101 659.12

* Screw for bracket is flat head, allen key. Use this screw to mount rail to bracket.



Top hole tapped (M6)
Side holes unthreaded
Bottom mounting holes oblong