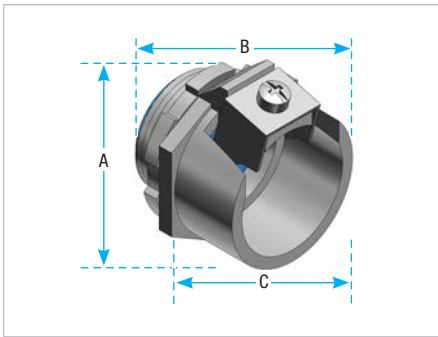


Armoured Cable and Flexible Metal Conduit Fittings



Steel or malleable iron

The tough lining of insulation and the Tite-Bite® principles make these fittings a "must" when conductors are subject to conditions of vibration or strain

Tite-Bite® Fittings — Nylon Insulated



Cat. No.	Cable Opening (in.)		Trade Size (in.)	K.O. Size (in.)	Dimensions (in.)		
	max.	min.			A	B	C
3110-C*	0.656	0.437	3/8	1/2	1-7/16	1-5/16	7/16
3112	0.937	0.750	1/2	1/2	1-25/32	1-3/4	1-9/32
3115*	1.125	0.906	3/4	3/4	2	1-3/4	1-9/32
3117*	1.468	1.250	1	1	2-3/8	1-3/4	1-7/32
3118†	1.750	1.562	1-1/4	1-1/4	2-3/4	2	1-11/32
3119†	2.031	1.812	1-1/2	1-1/2	3-1/8	2-5/8	1-7/8
3120†	2.500	2.312	2	2	3-3/4	2-3/4	1-15/16
3121†	3.062	2.812	2-1/2	2-1/2	4-3/8	3-1/4	2-3/8
3122†	3.562	3.312	3	3	5	3-1/4	2-3/8
3123‡	4.060	3.620	3-1/2	3-1/2	5-1/4	3-11/16	2-15/32
3124**†	4.560	4.120	4	4	5-3/4	3-25/32	2-1/2
3125**	5.500	4.600	5	5	6-7/8	4-27/32	3

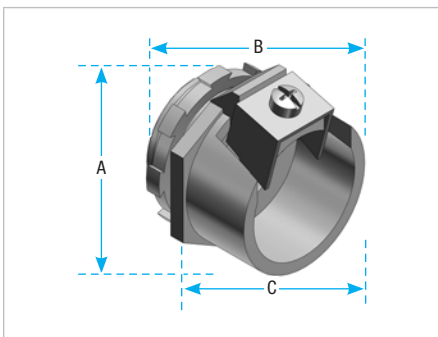
Material: Steel thru 3/4 in. trade size

* UL Listed for armoured cable only

† UL Listed for flexible metal conduit only

‡ CSA not applicable

** Not UL Listed or CSA Certified



Steel or malleable iron

Easy to install with double grip saddle. These fittings are completely salvageable. The 3/8 in. and 1/2 in. sizes are made of formed steel which produce a uniform high quality and a smooth throat that protects conductor insulation. 3/4 in. and larger size are malleable iron

Tite-Bite® Fittings



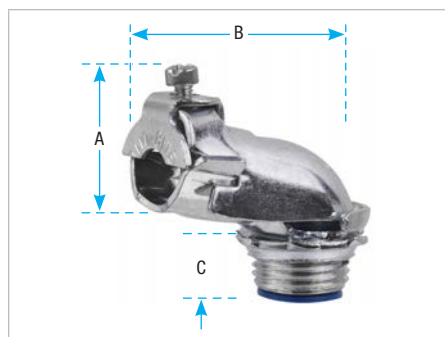
Cat. No.	Cable Opening (in.)		Trade Size (in.)	K.O. Size (in.)	Dimensions (in.)		
	max.	min.			A	B	C
300-TBC*	0.656	0.437	3/8	1/2	7/16	1-5/16	7/16
302-C	0.937	0.750	1/2	1/2	1-7/64	1-11/16	3/4
304	1.093	0.906	3/4	3/4	1-7/32	1-11/16	29/32
306	1.468	1.250	1	1	1-1/8	1-3/4	1-1/4
308†	1.750	1.562	1-1/4	1-1/4	1-1/4	2-1/32	1-9/16
310†	2.031	1.812	1-1/2	1-1/2	1-3/4	2-9/16	1-13/16
312†	2.500	2.312	2	2	1-13/16	2-13/16	2-5/16
314†	3.062	2.812	2-1/2	2-1/2	2-1/4	3-1/8	2-13/16
316†	3.562	3.312	3	3	2-1/4	3-3/16	3-5/16

Material: Steel thru 3/4 in. trade size

* UL Listed for armoured cable only

† UL Listed for flexible metal conduit only

Armoured Cable and Flexible Metal Conduit Fittings



Steel or malleable iron.

Available with or without insulated throat, this Tite-Bite® fitting line is by far the easiest and best to install when making sharp bends at the enclosure or equipment. It has all of the advantages of the straight fitting with only one screw to tighten, except in the larger sizes where there are two. A peep hole on top provides for easy inspection of the ABC bushing. Narrow design makes it easy to install fittings in adjacent knockouts.

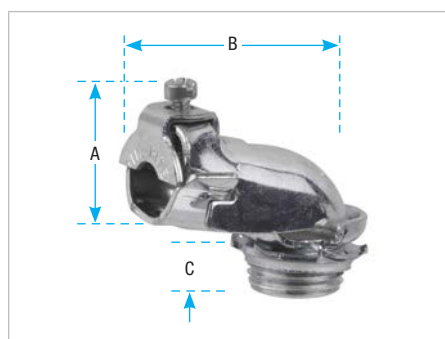


Tite-Bite® Fittings — 90° Angle Nylon Insulated

Cat. No.	Cable Opening (in.)		Trade Size (in.)	K.O. Size (in.)	Dimensions (in.)		
	max.	min.			A	B	C
3130-C	0.563	0.437	3/8	1/2	1-11/32	1-19/32	5/32
3132	0.937	0.750	1/2	1/2	1-7/8	2-5/16	1-5/32
3135	1.093	0.906	3/4	3/4	2	2-1/8	1-5/32
3137	1.468	1.250	1	1	2-21/32	2-1/8	1/2
3138†	1.750	1.562	1-1/4	1-1/4	3-1/8	2-7/8	3/4
3139†	2.031	1.812	1-1/2	1-1/2	4-3/8	4	1-3/16
3140†	2.500	2.312	2	2	5-9/16	4-7/8	1
3141†	3.062	2.812	2-1/2	2-1/2	5-25/32	6	21
3142†	3.562	3.312	3	3	6	7	1
3143‡	4.060	3.620	3-1/2	3-1/2	6	6-7/8	1-1/16
3144-TB‡	4.560	4.120	4	4	6-29/32	7-1/4	1-1/8

† UL Listed for flexible metal conduit only

‡ Not UL Listed or CSA Certified



The angle clip gives secure mechanical grip that tightens under tension or vibration. Throat is long enough to install in cast housing knockouts. The 3/8 in. and 1/2 in. sizes are of steel construction. The 3/4 in. and larger sizes are malleable iron.



Tite-Bite® Fittings — 90° Angle

Cat. No.	Cable Opening (in.)		Trade Size (in.)	K.O. Size (in.)	Dimensions (in.)		
	max.	min.			A	B	C
321-C	0.656	0.437	3/8	1/2	1-11/32	1-1/2	3/8
323	0.937	0.750	1/2	1/2	1-7/8	2-3/8	1-7/32
325	1.093	0.906	3/4	3/4	2-1/8	2-1/8	3/4
326-TB	1.468	1.250	1	1	2-21/32	2-1/8	1
327-TB†	1.750	1.562	1-1/4	1-1/4	3-1/8	3-5/8	—
328†	2.031	1.812	1-1/2	1-1/2	4-1/8	4-1/8	—
329†	2.500	2.312	2	2	4-3/8	4-31/32	—
330-TB†	3.062	2.812	2-1/2	2-1/2	6-1/2	6	—
331†	3.562	3.312	3	3	5-25/32	7	—

† UL Listed for flexible metal conduit only