



PG

Indoor/Outdoor Emergency Lighting Unit

FEATURES

Application

The PG is an indoor/outdoor, die-cast architectural emergency unit. It is a wet location listed, emergency luminaire with high-output LED technology that provides path of egress illumination for mounting over entrance/exit ways and perimeter walkways. Spectron® self-testing/self-diagnostic electronics are included standard. A battery heater for cold temperature operation is available as an option.

Construction

Housing and mounting plate are constructed of 0.125" die-cast aluminum and 0.125" closed-cell, medium density, neoprene gasket. The acrylic lens allows 92% light transmission. The reflector is electro-polished aluminum with 95% reflectance. Housing finish is powder coated electro-deposition paint available in four colors: dark bronze, white, platinum silver and black.

Installation

Universal housing knockouts for mounting to standard 31/2" and 4" octagon and 4" square electrical boxes. A 1/2" - 1/4 NPT threaded conduit opening is provided at the top of the housing and sealed with a closure plug. The back plate mounts to the wall surface using installer supplied hardware. The housing "snaps" to the back plate by a "pin and socket" arrangement, and is secured with two Fillister head screws. AC Lockout feature prevents battery discharge prior to initial unit power-up saving installation time.

Lamps

Four high-output, long life LED lamps arranged in redundant pairs.

Compliances

- UL 924 Listed (emergency models only)
- UL Wet Location Listed
- NFPA 101 Life Safety Code
- NFPA 70 National Electrical Code
- OSHA
- U.S. Patent No. D627,916.

Warranty

Three-years full for unit, electronics and battery.

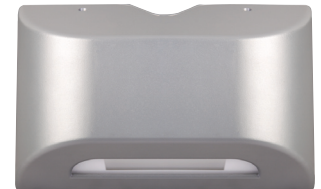
Catalog Number	
Comments	Type



White



Dark Bronze



Platinum Silver



Black

ORDERING GUIDE

PG	W	-	HTR
Series	Finish		Options
	W White Z Dark Bronze P Platinum Silver B Black		HTR Battery Heater (Add Suffix to Model)

Reference "Remote Heads and Fixtures" specification sheet for information on matching PG remote



PGR Remote LED



Hubbell Lighting, Inc.



PG

Indoor/Outdoor Emergency Lighting Unit

SPECIFICATIONS

Electronics

Upon failure of the normal utility power, a solid-state transfer switch automatically activates the emergency lamp. Upon resumption of the normal utility power, the battery is disconnected from the load and recharged through a solid-state charging unit. A low voltage battery disconnect feature protects the battery from severe damage during prolonged power failures. Spectron® self-testing/self-diagnostic circuitry provides automatic system testing on a monthly and semi-annual basis. Manual testing is available at any time using the push-to-test button: push once for a 60-second system test; push twice for a 90-minute system test.

Number of Lamps: Four high output LEDs

Lamp Configuration: Two sets of 2 LEDs provide illumination. In the unlikely event that any single LED should fail the remaining LEDs will continue to function.

Lamp Type: Solid state high output LEDs

Lamp Color: Cool White, 6350K

Total Lamp Output: 405 Lumens

Input: 120/277VAC, 60 Hz

Battery Charger: Temperature compensating, constant current

Transfer: Solid state

Functional Circuitry: AC lockout, transformer isolation, transient surge protection, low voltage battery disconnect, brownout detection, time delay retransfer

Battery Recharge Cycle: per UL time standards

Test Means: Integral test switch

Battery: Sealed, maintenance-free Nickel-Cadmium

Operating Temperature Range for Models without Heater: 0°C to 50°C (32°F to 122°F)

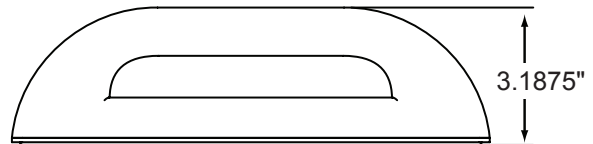
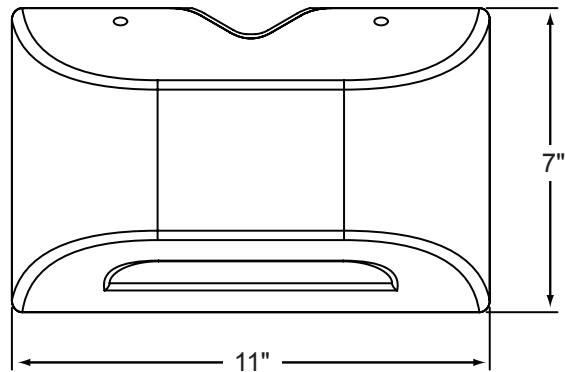
Operating Temperature Range for Models with Heater: -30°C to 50°C (-22°F to 122°F)

Power Consumption

Models Without Heater		Models With Heater	
120VAC	2.78 watts	120VAC	15.2 watts
277VAC	2.88 watts	277VAC	15.7 watts

Power factor, average: 0.8 (lagging)

DIMENSIONS



ILLUMINATION PATTERN

SINGLE UNIT COVERAGE

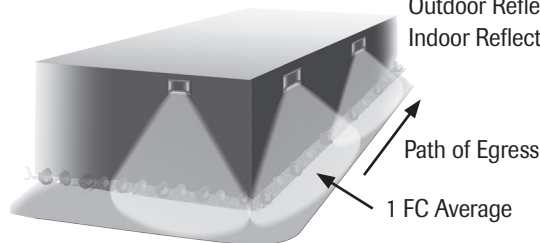
Mounting Height: 9'
Outdoor Reflectance: 0/30/10
Indoor Reflectance: 80/50/20



	Indoor	Outdoor
1 FC Average (W x D)	33' X 10'	27' X 10'
1 FC Minimum (W x D)	10' X 10'	9' X 10'

MULTIPLE UNIT SPACING

Mounting Height: 9'
Illuminated Path Depth: 6'
Outdoor Reflectance: 30/10
Indoor Reflectance: 80/50/20



	Indoor	Outdoor
1 FC Average	44'	33'
1 FC Minimum	16'	15'

