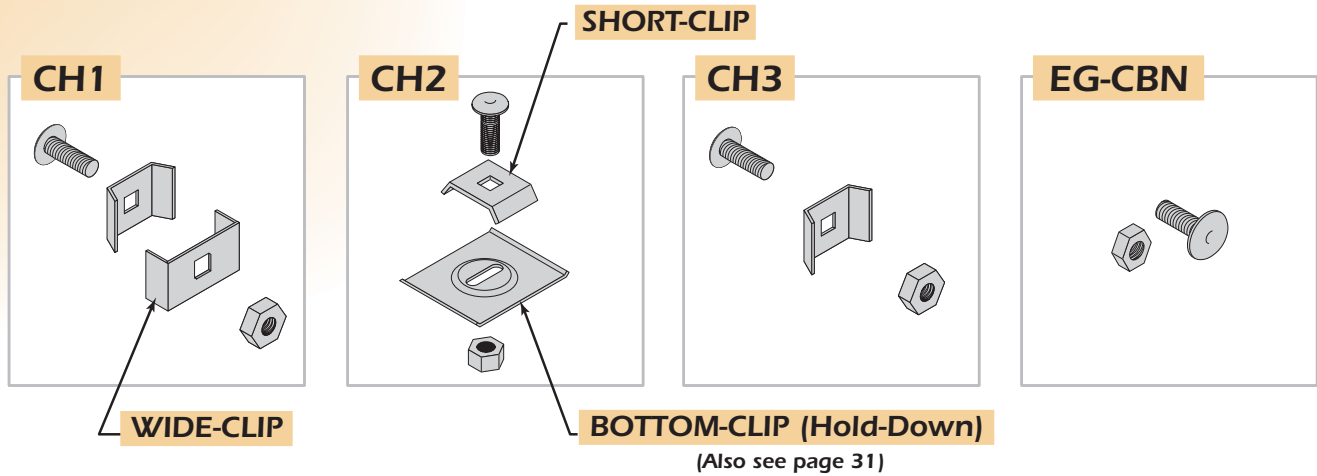




## Connector Hardware



PART KIT	WEIGHT	NO. / PKG
CH1	.70	10
CH2	1.16	10
CH3	.44	10
EG-CBN	.20	10

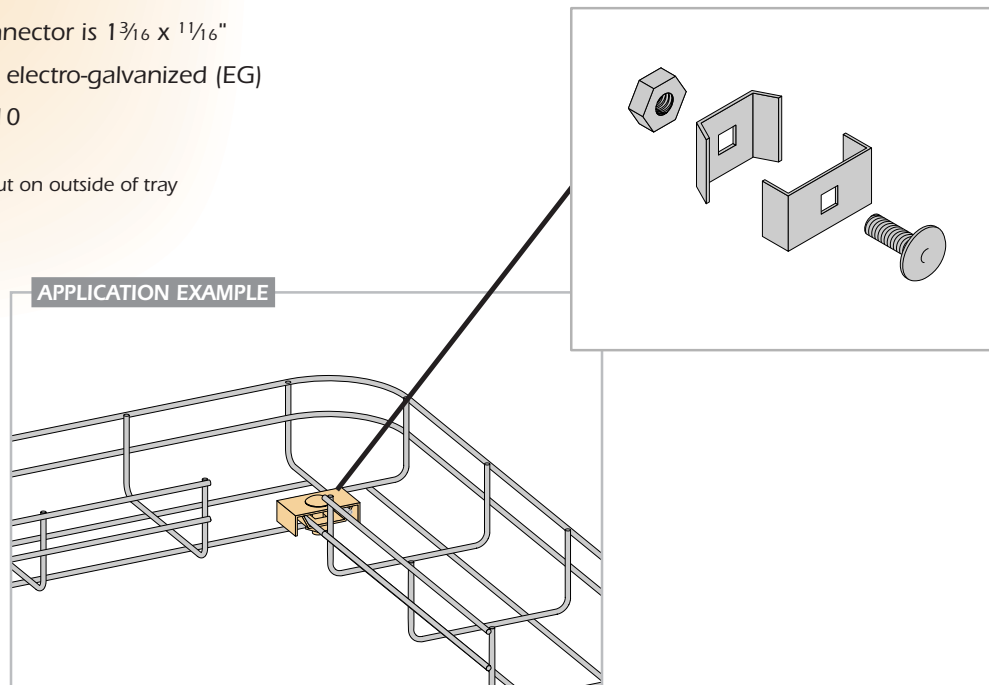
SINGLE PART	WEIGHT	NO. / PKG
Short-Clip	.20	10
Wide-Clip	.31	10
Bottom-Clip	.92	10

## Connector Kits

### CH1

- Standard bar connector is 1<sup>3</sup>/<sub>16</sub> x 1<sup>1</sup>/<sub>16</sub>"
- Standard finish is electro-galvanized (EG)
- Sold in packs of 10

**NOTE:** Always place nut on outside of tray



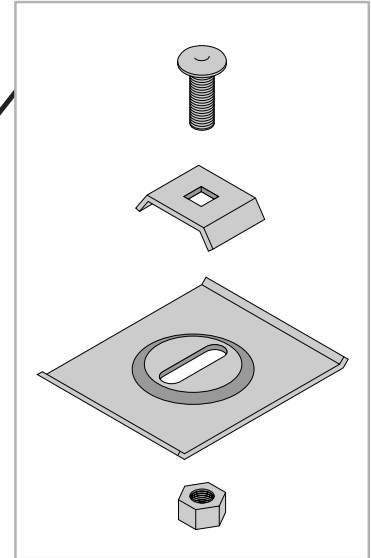
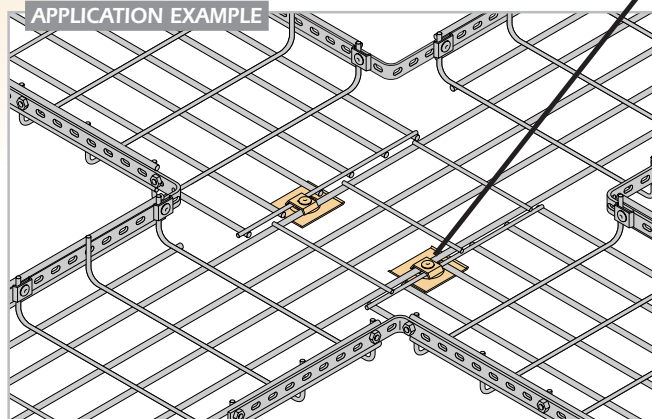
## Connector Kits

### CH2

- Bottom connector is 2 x 2<sup>3</sup>/<sub>8</sub>"
- Standard finish is electro-galvanized (EG)
- Sold in packs of 10

**NOTE:**

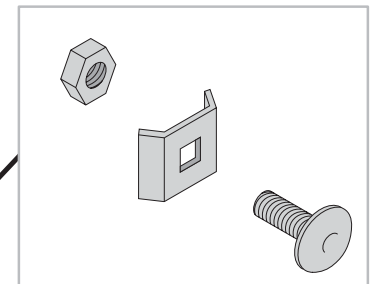
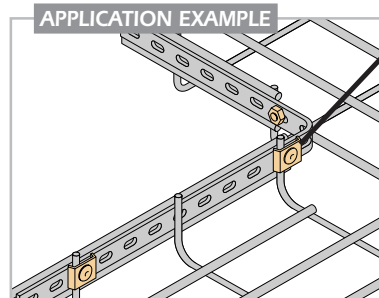
Always place nut on outside of tray



### CH3

- Universal connector is 1<sup>1</sup>/<sub>16</sub> x 1<sup>5</sup>/<sub>16</sub>"
- Standard finish is electro-galvanized (EG)
- Sold in packs of 10

**NOTE:** Always place nut on outside of tray



### EG-CBN

- 1/4-20 x 3/4" Carriage bolt
- 1/4-20 Hex head nut
- Standard finish is electro-galvanized (EG)
- Sold in packs of 10 each

**NOTE:** Always place nut on outside of tray

