

Materials Included In Series 100 Standoff Kit (Steel Structural Member):

- ① (1) SnapNrack Standoff Base
- ② (1) SnapNrack Standoff Shaft
- ③ (1) SnapNrack Rubber Rain Collar
- ④ (1) SnapNrack Standoff Clamp
- ⑤ (1) 5/16in SS Split Lock Washer
- ⑥ (1) 5/16in - 18 X 2in SS HCS Bolt
- ⑦ (1) SnapNrack Bonding Channel Nut, 5/16in - 18

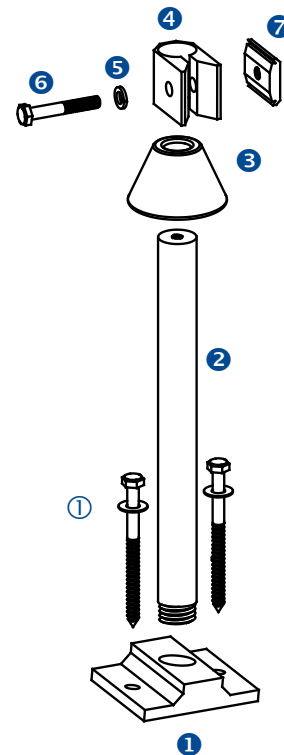
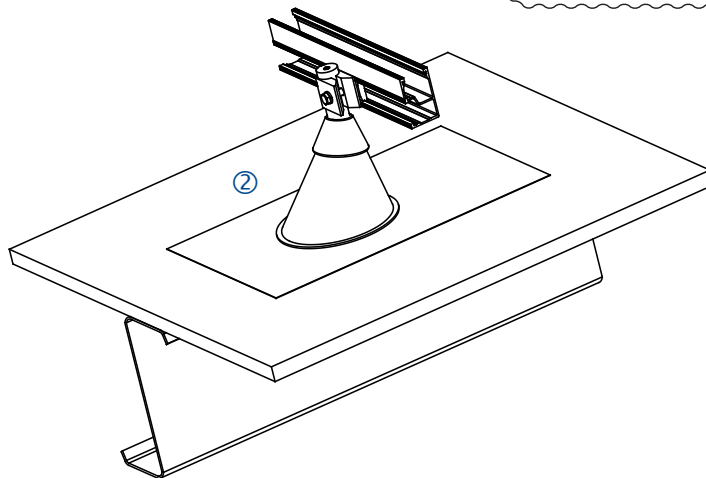
Standard Standoff Base



Other Materials Required:

- ① (1) 1/4in Tek Screw
- (1) Roof Cone Flashing

When To Use:
Steel Structural
Member Configurations



Materials Included In Series 100 Four Hole Standoff Kit:

- ① (1) SnapNrack Four Hole Standoff Base
- ② (1) SnapNrack Standoff Shaft
- ③ (1) SnapNrack Rubber Rain Collar
- ④ (1) SnapNrack Standoff Clamp
- ⑤ (1) 5/16in SS Split Lock Washer
- ⑥ (1) 5/16in - 18 X 2in SS HCS Bolt
- ⑦ (1) SnapNrack Bonding Channel Nut, 5/16in - 18

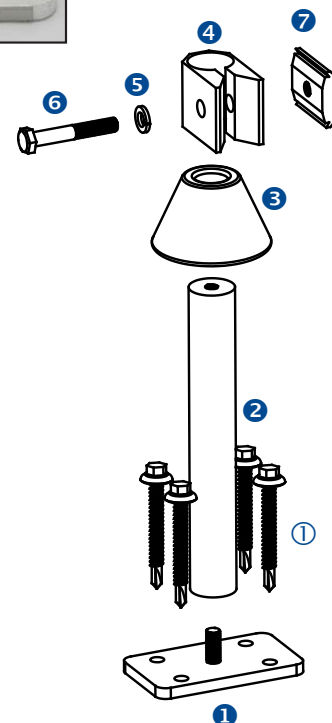
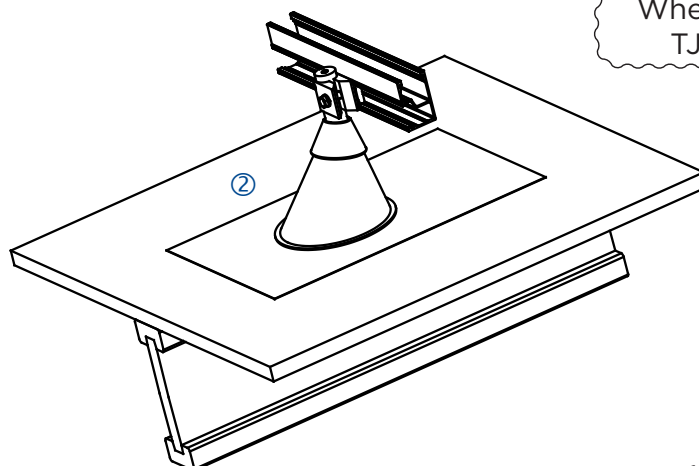
Four Hole Base



Other Materials Required:

- ① (4) Wood Screws 1/4"
- ② (1) Roof Cone Flashing

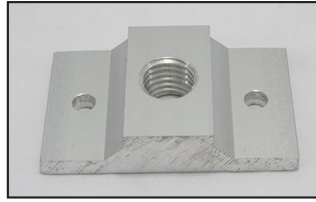
When To Use:
TJI Joists



Materials Included In Series 100 Heavy Duty Standoff Kit:

- ① (1) SnapNrack HD Standoff Base
- ② (1) SnapNrack HD Standoff Shaft
- ③ (1) SnapNrack Rubber Rain Collar
- ④ (1) SnapNrack Standoff Clamp
- ⑤ (1) 5/16in SS Split Lock Washer
- ⑥ (1) 5/16in - 18 X 2in SS HCS Bolt
- ⑦ (1) SnapNrack Bonding Channel Nut, 5/16in - 18

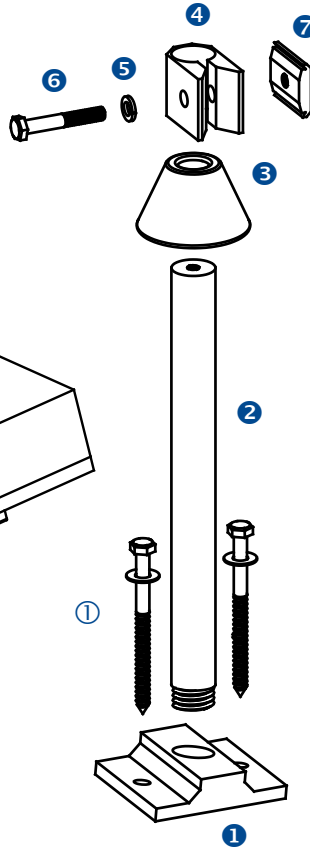
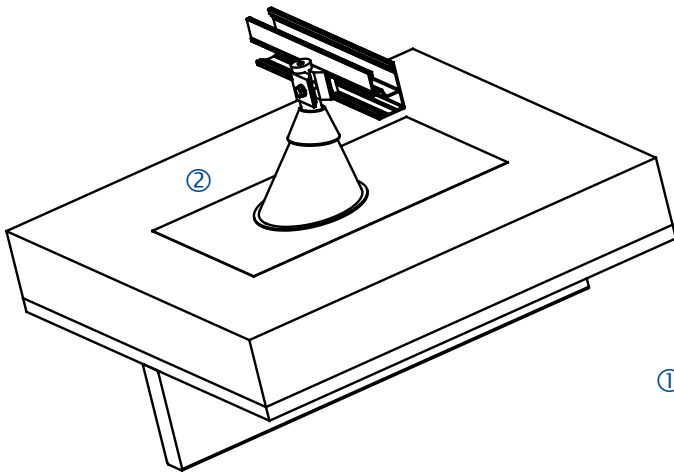
HD Base



Other Materials Required:

- ① (2) 5/16in Lag Screw
- ② (1) Roof Cone Flashing

When To Use:
Foam Roofs



Series 100 UL Standoff Options

Step-by-Step Instructions For Zee Purlin Installation

1) Follow the instruction exactly as the SnapNrack Standoff penetration. Substituting the tek Screw for the 5/16" lag bolt.

Step-by-Step Instructions For Four Hole Installation

1) Follow the instruction exactly as the SnapNrack regular Standoff penetration. Substituting the base for the four hole base and 1/4" wood screws for the 5/16" lag bolt.

Step-by-Step Instructions For Heavy Duty Installation

1) Remove the foam roofing above the rafter to be installed on.

2) Attach the SnapNrack heavy duty standoff base directly to the exposed rafter using (2) 5/16" lag bolts.

3) Screw in the SnapNrack HD Standoff to the base snug with channel locks.

4) Replace the foam roofing that was removed.

5) Flash the standoff by sliding the cone flashing over the exposed standoff and heat weld the rubber membrane around the flashing for a water tight seat.

6) Attach remaining hardware as in the standard SnapNrack standoff.

Notes

- SnapNrack engineered systems should only be used with SnapNrack components and hardware. Any alternate application may void the warranty and structural calculations could become invalid.

Warning

- If a pilot hole is drilled and a rafter is not found, immediately seal pilot hole with roofing sealant to avoid water damage.
- Do not over tighten hardware.
- Always wear fall protection and safety gear.

Design Tools

- SnapNrack has a suite of design tools to help configure your PV installation to be an accurate and fast install. Please visit us at: www.SnapNrack.com



Series 100 UL 5° - 15° Tilt Mount

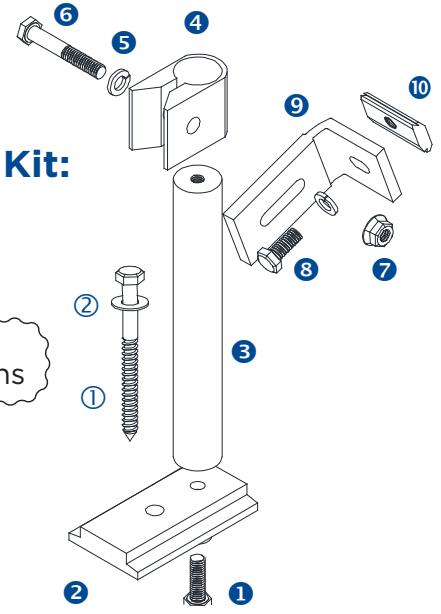
Required Tools:

Hammer or Stud Finder
 Roof Marking Crayon
 Drill with 1/8 inch Pilot
 Roof Sealant
 Torque Driver with Bit Adapter
 1/2 inch Socket Wrench

Materials Included In Series 100 5°-15° Tilt Kit:

- ① (2) 5/16in- 18 X 3/4in SS HCS Bolt
- ② (2) SnapNrack Standoff Base
- ③ (2) SnapNrack Standoff Shaft
- ④ (2) SnapNrack Standoff Clamp
- ⑤ (4) 5/16in SS Split Lock Washer
- ⑥ (2) 5/16in - 18 X 2in SS HCS Bolt
- ⑦ (2) 5/16in - 18 Flat Hex Nut
- ⑧ (2) 5/16in - 18 1in SS HCS Bolt
- ⑨ (2) SnapNrack L Foot
- ⑩ (2) SnapNrack Bonding Channel Nut

When To Use:
 Flat Roof Applications



Other Materials Required:

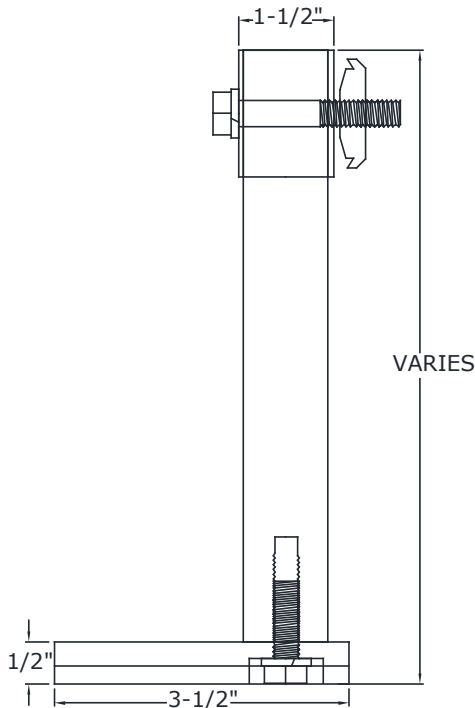
- ① (2) 5/16in Lag Screw
- ② (2) 5/16 Washer
- (2) Roof Cone Flashings

Technical Standoff Data:

Material	6000 Series Heat Treated Aluminum
Finish	Mill
Weight	5.5" Shaft = 0.4 LBS 7" Shaft = 0.5 LBS 8.5" Shaft = 0.6 LBS
Design Uplift Load	200 LBS Uplift
Design Ultimate Load	1000 LBS Uplift

All parts are mill finish

Dimensioned Assembly



Dimensioned Standoff Clamp

