

Series 100 UL Seam Clamp

Required Tools

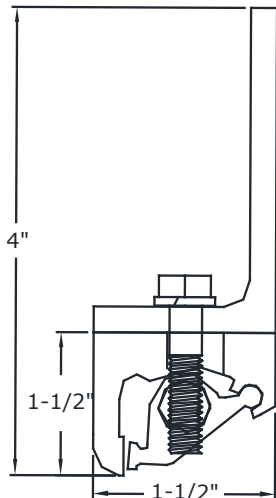
Torque Driver with Bit Adapter
1/2 inch Socket Wrench

Materials Included In Series 100 Seam Clamp Kit:

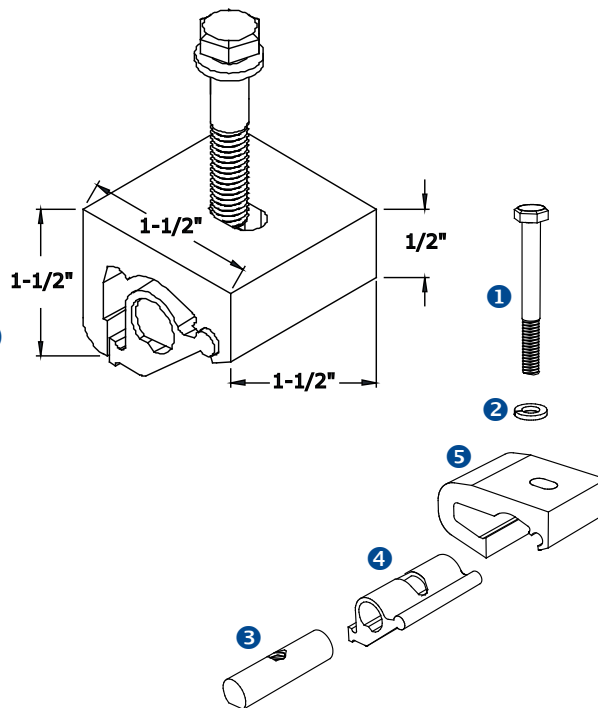
- ① (1) 5/16in - 18 X 1in SS HCS Bolt
- ② (1) 5/16in SS Split Lock Washer
- ③ (1) SnapNrack Seam Clamp Insert
- ④ (1) SnapNrack Seam Clamp Cam
- ⑤ (1) SnapNrack Seam Clamp Base

When To Use:
Standing Metal Seam
That The Seam Clamp
Fits Over, Not Limited To
The Table To The Right

Dimensioned Assembly with L-Foot:



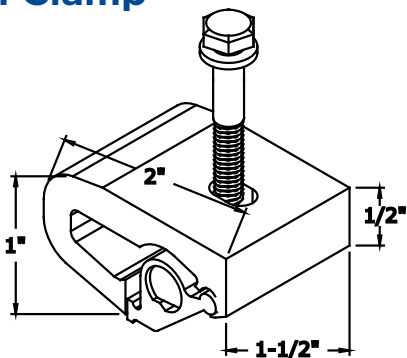
Dimensioned Standard Seam Clamp



Materials Included In Series 100 Wide Seam Clamp Kit:

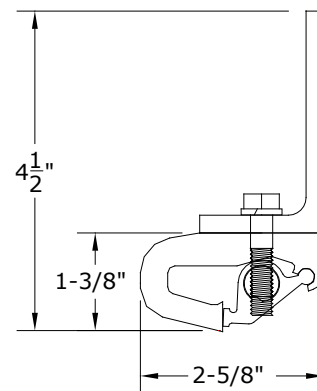
- ① (1) 5/16in - 18 X 1in SS HCS Bolt
- ② (1) 5/16in SS Split Lock Washer
- ③ (1) SnapNrack Seam Clamp Insert
- ④ (1) SnapNrack Seam Clamp Cam
- ⑤ (1) SnapNrack Seam Clamp Wide Base

Dimensioned Wide Seam Clamp



Dimensioned Assembly with L-Foot

Use with:
Anodized L foot
and Flange Bolt



Technical Seam Clamp Data:

Material	6000 Series Heat Treated Aluminum
Finish	Mill
Design Uplift Load	200 LBS Uplift
Design Ultimate Load	Varies by Seam C-Test Results

Example Standing Seam

MANUFACTURER	PANEL NAME	CLAMP
AEP	Design Span HP	Standard Base
AEP	Span-Lok	Wide Base
American Buildings	Standing Seam II	Standard Base
Behlen	ZL-24 Triple Lock	Wide Base
Berridge	Zee-Lock	Wide Base
Borga	Tioga	Standard Base
Butler	MR-24	Standard Base
Custom Bilt Metals	SL-1750	Standard Base
Custom Bilt Metals	CB-2000 Single Lock	Wide Base
Custom Bilt Metals	CB-2000 Double Lock	Standard Base
Everlast	Everseam	Standard Base
Fabral	Thin Seam	Standard Base
Fabral	Stand 'N Seam	Standard Base
Mastercraft Metals	Seam-Loc 1000	Wide Base
Mastercraft Metals	Seam-Loc 1500	Wide Base
Mastercraft Metals	Seam-Loc 2000	Wide Base
MBCI	Double-Lok	Standard Base
MBCI	SuperLok	Standard Base
MBCI	LokSeam	Wide Base
MBCI	Ultra-Dek	Standard Base
MBCI	BattenLok	Wide Base
McElroy	MasterLok FS	Standard Base
McElroy	Maxima	Wide Base
Merchant & Evans	Zip-Lok Single Lock	Standard Base
Merchant & Evans	Zip-Lok Double Lock	Standard Base
Metal Sales	MagnaLoc	Wide Base
Metal Sales	Vertical Seam	Standard Base
Nucor	CFR Vise Lock	Wide Base
Nucor	VR-16 II Vise Lock	Wide Base
VP Buildings	SSR	Standard Base
Whirlwind	Super Seam II	Standard Base

1) Assemble seam clamp



2) Attach seam clamp



3) Tighten hardware



Series 100 UL Seam Clamp

Step-by-Step Instructions

1) Assemble the seam clamp components to be ready to attach to standing metal seam.

2) Attach the seam clamp to the standing metal seam by loosening the seam clamp bolt then opening the seam clamp cam and placing the clamp over the top of the standing metal seam.

3) Tighten remaining hardware in the L-Foot assembly. Tighten both silver and black hardware to 10-16 ft-lbs.

SnapNrack Seam Clamps have been designed to work with a variety of standing seam metal roofs, the most common seam types are:

Snap Lock Single Lock Double Lock



If a specific roof seam is not found on list, contact SnapNrack prior to installation.

Notes

- SnapNrack engineered systems should only be used with SnapNrack components and hardware. Any alternate application may void the warranty and structural calculations could become invalid.

Warning

- If a pilot hole is drilled and a rafter is not found, immediately seal pilot hole with roofing sealant to avoid water damage.
- Do not over tighten hardware.
- Always wear fall protection and safety gear.

Design Tools

- SnapNrack has a suite of design tools to help configure your PV installation to be an accurate and fast install. Please visit us at: www.SnapNrack.com