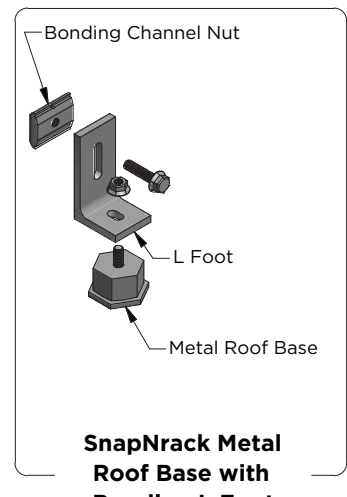
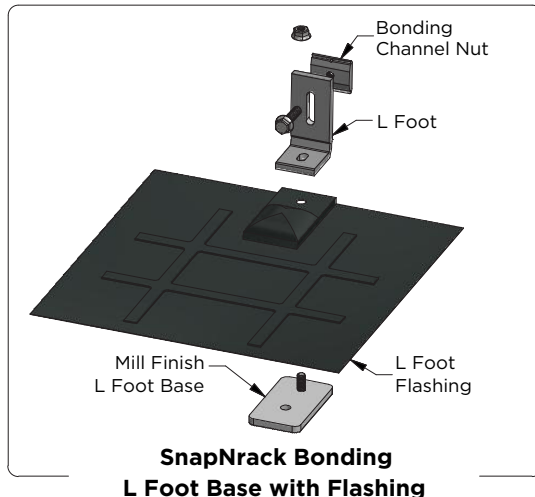
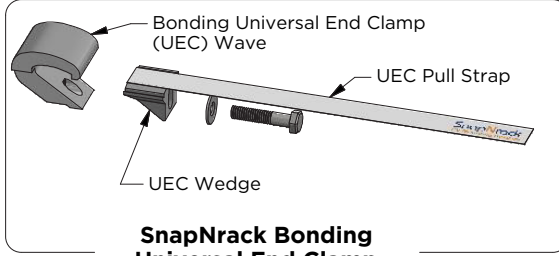
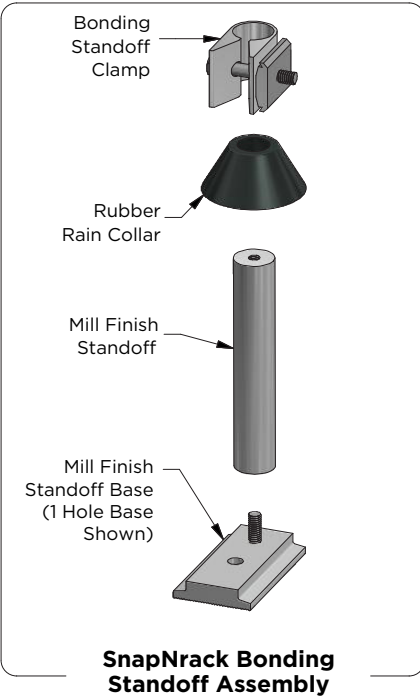
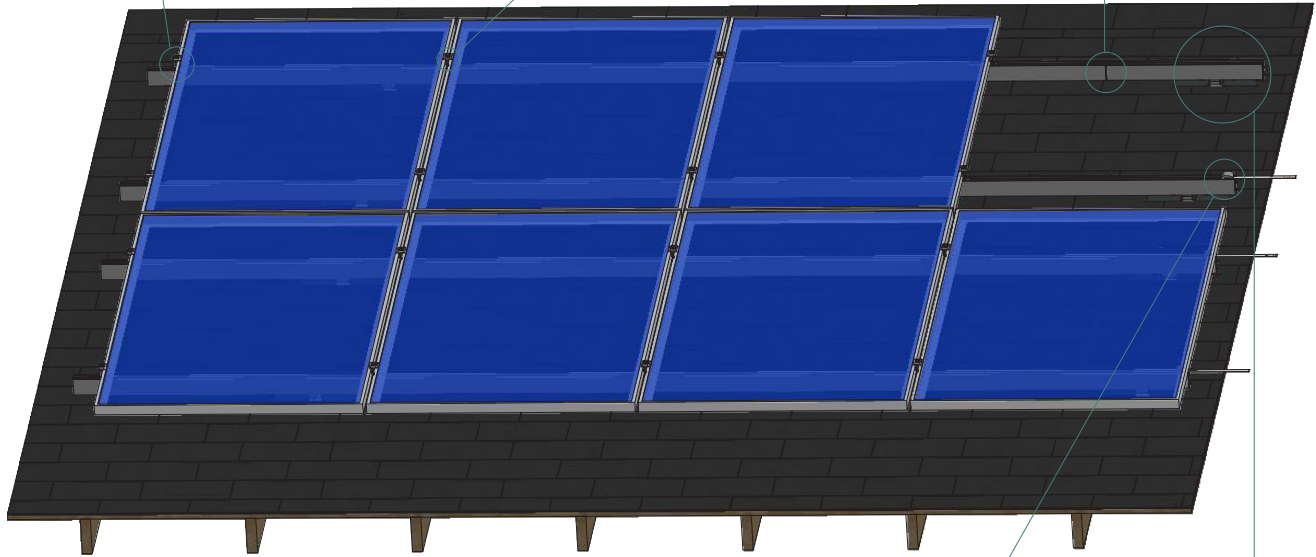
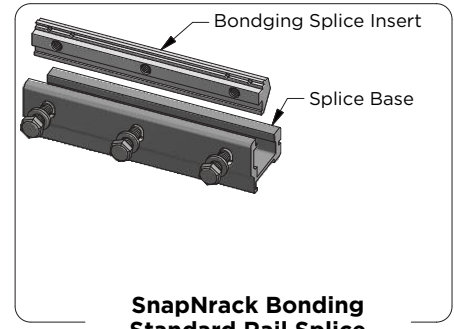
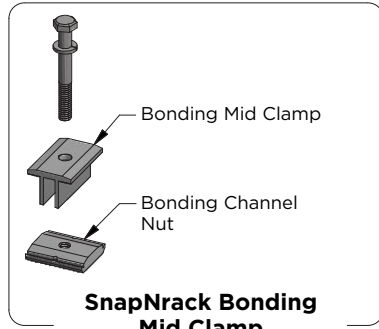
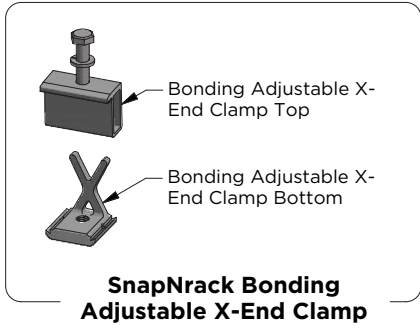


SERIES 100 UL CONVERSION SHEET

SnapNrack Solar Mounting Solutions

The **Series 100 UL Conversion** serves as a guide for ordering when converting to SnapNrack's UL Listed products. The table lists SnapNrack's standard Series 100 products with the equivalent new UL Listed product to ensure that the correct parts are ordered.

SnapNrack Series 100 & 200 Rail			
No Changes			
Series 100 Splice Kits		Series 100 UL Splice Kits	
Requires Bonding Jumper (sold separately)		Includes bonding pins	
Description	SKU	Description	SKU
Standard Rail Splice Assembly, Clear	242-04012	Bonding Rail Splice Assembly, Clear	242-04014
Standard Rail Splice Assembly, Black	242-04013	Bonding Rail Splice Assembly, Black	242-04015
Series 100 Mid Clamp		Series 100 Bonding Mid Clamp	
Requires WEEB Grounding Washer (sold separately)		Includes pins and bonding channel nut	
Description	SKU	Description	SKU
Mid Clamp Assembly, 1.20"- 1.48", Clear	242-02123	Bonding Mid Clamp Assembly, 1.20"- 1.48", Clear	242-02050
Mid Clamp Assembly, 1.31"- 1.77", Clear	242-02128	Bonding Mid Clamp Assembly, 1.31"- 1.77", Clear	242-02051
Mid Clamp Assembly, 1.50"- 2.00", Clear	242-02124	Bonding Mid Clamp Assembly, 1.50"- 2.00", Clear	242-02052
Mid Clamp Assembly, 1.20"- 1.48", Black	242-02125	Bonding Mid Clamp Assembly, 1.20"- 1.48", Black	242-02053
Mid Clamp Assembly, 1.31"- 1.77", Black	242-02129	Bonding Mid Clamp Assembly, 1.31"- 1.77", Black	242-02054
Mid Clamp Assembly, 1.50"- 2.00", Black	242-02126	Bonding Mid Clamp Assembly, 1.50"- 2.00", Black	242-02055
Series 100 End Clamps		Series 100 Bonding End Clamps	
Requires WEEB Grounding Washer (sold separately)		Includes pins and bonding channel nut	
Description	SKU	Description	SKU
Adjustable End Clamp Assembly, 1.20"- 1.48", Clear	242-02121	Bonding Adjustable X-End Clamp Assembly, 1.20"- 1.48", Clear	242-02065
Adjustable End Clamp Assembly, 1.49"- 2.00", Clear	242-02117	Bonding Adjustable X-End Clamp Assembly, 1.49"- 2.00", Clear	242-02066
Adjustable End Clamp Assembly, 1.20"- 1.48", Black	242-02122	Bonding Adjustable X-End Clamp Assembly, 1.20"- 1.48", Black	242-02067
Adjustable End Clamp Assembly, 1.49"- 2.00", Black	242-02118	Bonding Adjustable X-End Clamp Assembly, 1.49"- 2.00", Black	242-02068
Universal End Clamp Assembly	242-02215	Bonding Universal End Clamp Assembly	242-02063
Series 100 Flashed L Foot		Series 100 UL Flashed L Foot	
Not compatible with system grounding methods		Mill finish base and bonding channel nut	
Description	SKU	Description	SKU
L-Foot Kit w/ Base & Flashing, Clear L-Foot	242-92050	Bonding L-Foot Kit w/ Base & Flashing, Clear L-Foot	242-02700
L-Foot Kit w/ Base & Flashing, Black L-Foot	242-92051	Bonding L-Foot Kit w/ Base & Flashing, Black L-Foot	242-02701
Series 100 Standoff Kit		Series 100 UL Standoff Kit	
Not compatible with system grounding methods		All mill finish components with bonding channel nut	
Description	SKU	Description	SKU
Standoff Kit w/ 1-Hole Base, 5 ½", Clear	242-92057	Bonding Standoff Kit w/ 1-Hole Base, 5 ½"	242-02704
Standoff Kit w/ 1-Hole Base, 7", Clear	242-92059	Bonding Standoff Kit w/ 1-Hole Base, 7"	242-02705
See price list for additional standoff parts & SKUs			
Series 200 Pipe Clamp		Series 200 UL Pipe Clamp	
Not compatible with system grounding methods		Mill finish clamp with bonding channel nut	
Description	SKU	Description	SKU
Pipe Clamp Assembly, 1 ½"	242-09003	Bonding Pipe Clamp Assembly, 1 ½"	242-09004
Series 100 Bonding Lug		Series 100 UL Lug	
Installation requires drilling and cutting into rail		Grounding lug snaps into rail channel	
Description	SKU	Description	SKU
Wiley WEEB Lug w/Washer Assembly	051-04015	SnapNrack Grounding Lug Assembly	242-02101



SnapNrack™
Solar Mounting Solutions

(877) 732-2860 | www.SnapNrack.com

© 2015 by SnapNrack PV Mounting System. All rights reserved.