

Enclosed Circuit Breakers

Enclosures — Type 1

Selection

Dimensions

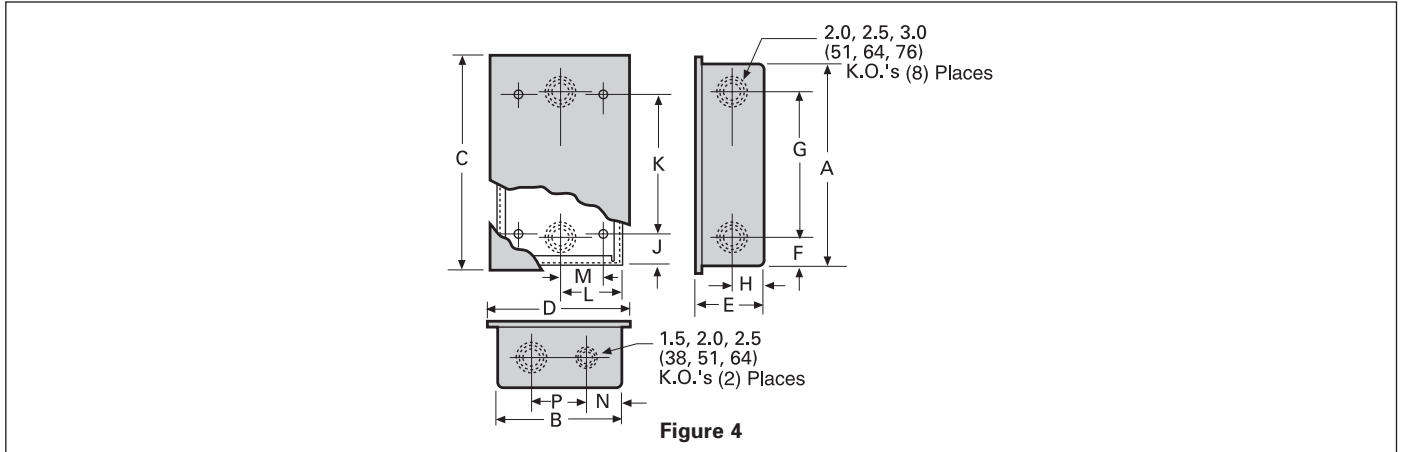


Figure 4

Figure Number	Breaker Frame	Number of Poles	Maximum Current Rating	Catalog Number	Weight Lb./Ship. Package	Dimensions (inches)													
						A	B	C	D	E	F	G	H	J	K	L	M	N	P
4	QJ2, QJH2, QH2-H	2-3	225	EB3225S EB3225F	15	27	10 ⁵ / ₁₆	27	10 ⁵ / ₁₆	5 ¹ / ₂	2 ¹³ / ₁₆	21 ¹ / ₁₆	2 ³ / ₁₆	3	20	5 ⁵ / ₁₆	2 ³ / ₁₆	2 ³ / ₁₆	4 ¹ / ₂
						27	10 ⁵ / ₁₆	28 ¹ / ₁₆	11 ¹ / ₁₆	5 ¹ / ₂	2 ¹³ / ₁₆	21 ¹ / ₁₆	2 ³ / ₁₆	3	20	5 ⁵ / ₁₆	2 ³ / ₁₆	2 ³ / ₁₆	4 ¹ / ₂

Neutrals

Neutral Catalog Number	Enclosure Catalog Number	Neutral Cable Capacity and Wire Range
N225QJ	EB3225(S)(F)	(1 pc.) #4 - 2/0 Cu/Al (1 pc.) #1 - 300 kcmil Cu/Al Gnd. Lug (1pc.) #14 - #4 & (3 pcs.) #14 - #10 Cu or (1 pc.) #12 - #4 & (3 pcs.) #12 - #10 Al
N125GG	GG0121SN/FN	(1 pc.) #14-2/0 Cu/Al, (1 pc.) #1-300 kcmil Cu/Al Gnd. Lug (1 pc.) #12 - #4 Cu/Al (3 pcs.) #12 - #10 Cu/Al
W53045	E2N1(S)(F)	(1 pc.) #14-2 Cu/Al Gnd. Lug (1 pc.) #14-8 Cu/Al
	CED6N1(S)(F)®	
N250	F6N1(S)(F)	(1 pc.) #6-350 kcmil Cu/Al Gnd. Lug (1 pc.) #14-2/0 Cu/Al
W60992	J6N1	(1 pc.) #1/0-750 kcmil Cu/Al or (2 pcs.) #1/0-300 kcmil Cu/Al Gnd. Lug (1 pc.) #6-250 kcmil Cu/Al
W60993	LD6N1	(2 pcs.) #1/0-600 kcmil Gnd. Lug (1 pc.) #6-250 kcmil Cu/Al
W63623	LMD1	(4 pcs.) 250 kcmil-500 kcmil Cu/Al® Gnd. Lug (1 pc.) #6-300 kcmil Cu/Al
	MND61	
N2000	PRD6N1	(6 pcs.) #3/0-750 kcmil Cu/Al Gnd. Lug (2 pcs.) #3/0-750 Cu/Al

200% Neutrals (For Type 1, 3R, 4/4X and 12 Enclosures)

Neutral Catalog Number	Enclosure Catalog Number	Neutral Cable Capacity and Wire Range
N2250	F6N1(S)(F)®	(2 pcs.) #4-350 kcmil Cu/Al Gnd. Lug (1 pc.) #14-2/0 Cu/Al
W60993	J6N1®	(2 pcs.) #1/0-600 kcmil Gnd. Lug (1 pc.) #6-250 kcmil Cu/Al
W63623	LD6N1®	(4 pcs.) 250 kcmil-500 kcmil Cu/Al Gnd. Lug (1 pc.) #6-300 kcmil Cu/Al

For inches / millimeters conversion, see Application Data section.

- ®Surface mounted, indoor. If flush mounting is required, replace suffix "S" in catalog number with suffix "F". Also, if outdoor model required, use prefix "W" instead of "E".
- ®Neutral not included. Order as separate item from table on next page.

- ®Surface mounted, indoor. If outdoor model is required, use prefix "W" instead of "E". Not available in flush ("F") model.
- ®Use for 110-125 ampere ED4, ED6, or HED4 circuit breakers.
- ®Will not accept breaker with shunt trip.
- ®Also for use with Type 3R, 12, 12K & 4X enclosures (Catalog numbers F6N3R, F6N12, F6N12K & FD6SS4).

- ®Also for use with Type 3R, 12 & 4X enclosures (Catalog numbers J6N3R, J6N12, & LD6SS4).
- ®Also for use with Types 3R and 12 enclosures (Catalog numbers LD6N3R & LD6N12).
- ®For 600 MCM neutral cable (3) in, (3) out (#4-600 kcmil Cu/Al) use catalog number W411239