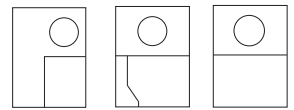


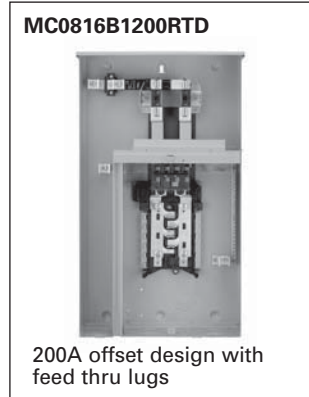
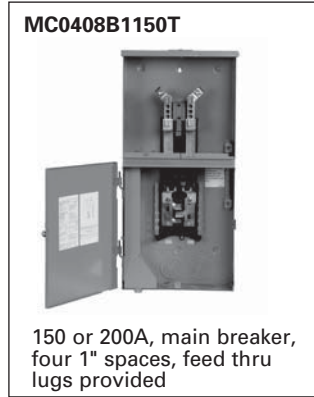
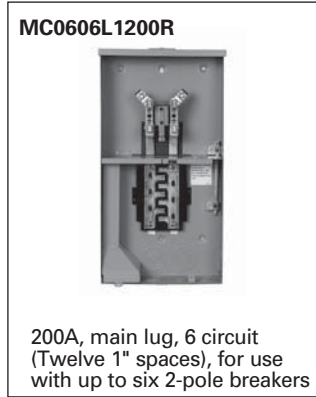
Meter Centers

• Revised •
12/15/11



Surface Mount, Over/Under Meter-Load Center Combination, 1-Phase, 3-Wire 120/240V AC

- UL listed
- Overhead and underground feed applications
- Load wires bottom or back exit only
- 22,000 AIC rated, or as noted
- Pad locking provisions on all devices
- Side hinge doors removable by backing out only one screw
- Suitable for use only as service entrance equipment
- Contact local utility to confirm meter socket placement prior to installation
- See end of section for dimensions and wiring diagrams



2 METER CENTERS

Catalog Number	Amp Rating (Cont.)	Utility Incoming	Bypass Type	No. of Spaces	No. of Circuits	Dimensions (inches)			Main Breaker	Short Circuit Rating	Hub Provision	5th Jaw	Cover Type
						H	W	D					

Meter-Load Center Combination, 150-200amp^③

MC0408B1150T ^⑤	150	OH/UG	None	4	8	30.0	14.0	5.0	MBK150	22,000	RX	EC5J2	Ring				
MC0408B1150RT ^⑤									Ringless								
MC0408B1200T ^⑤									Ring								
MC0408B1200RT ^⑤	200	OH/UG	None	8	16	32.0	14.0	5.0	MBK200	22,000	RX	EC5J2	Ringless				
MC0816B1150CT ^⑤									Ring								
MC0816B1200CT ^⑤	200	OH/UG	None	8	16	32.0	14.0	5.0	MBK150	22,000	RX	EC5J2	Ring				
MC0816B1200CT ^⑤	200								Ringless								
MC0816B1150RCT ^⑤	150								Horn				MBK200	22,000	RX-top, HC-bot	Installed	Ringless
MC0816B1200RCT ^⑤	200																
MC0816B1150RJB ^⑤	150																
MC0816B1200RJB ^⑤	200	OH	None	8	16	29.0	12.0	5.2	QN2150RH	22,000	RX	EMC5J	Ring				
MC0816B1200T ^⑤	200								QN2200RH				Ringless				
MC0816B1200RT ^⑤	150	OH/UG	None	20	40	36.0	14.0	5.0	MBK150	22,000	RX	EC5J2	Ringless				
MC2040B1150RC									200				Installed				
MC2040B1200RC									150								
MC2040B1150RJB									200								
MC2040B1200RJB	200	OH/UG	None	12	6	27.0	14.0	5.0	Main Lug	22,000	RX	EC5J2	Ringless				
MC0606L1200RA ^{①②④}									Installed								
MC0606L1200RJB ^{①②}									EC5J2								
MC0606L1200RN									EC5J2								

Meter Combinations

Meter-Load Center Combination, 150-200amp, Sidewire (Underground Feed Only)^③

MC0606L1200RAD ^④	200	UG	None	6	6	25.0	17.0	5.2	Main Lug	10,000	HC-bot	EC5J2	Ringless
MC0816B1200RTD ^⑤			None	8	16	29.0			MBK200	22,000			

Meter-Load Center Combination, 125-200amp, Lever Bypass^③

MC0816B1150JLT ^⑤	150	OH/UG	HQ Lever Bypass	8	16	32.1	14.3	5.2	MBK150	22,000	RX-top, HC-bot	Installed	Ringless
MC0816B1200JLT ^⑤	200								MBK200				
MC1224B1125JLC	125			MBK125									
MC1224B1200JLC	200	MBK200											
MC2040B1150JLC	150	OH/UG	HQ Lever Bypass	20	40	36.1	14.3	5.2	MBK150	22,000	RX-top, HC-bot	Installed	Ringless
MC2040B1200JLC	200								MBK200				
MC3042B1200JLC	200			30	42	42.1							

Meter-Load Center Combination Approved for Georgia Power, 150-200A

MC0408B1150RGA ^⑤	150	OH/UG	None	4	8	33.5	15.0	5.1	MBK150	22,000	RX-top, HC-bot	EC5J2	Ringless
MC0408B1200RGA ^⑤	200								MBK200				
MC0606L1200RGA	150			Main Lug									
MC0816B1150RGA ^{②⑤}				200	MBK150								
MC0816B1200RGA ^⑤	200	MBK200											

① No main breaker provided. Accepts QN or QP type 2 or 4-pole breakers.

③ Suitable for use as service entrance equipment when not more than six disconnecting means are provided and when not used as a lighting an appliance panel board.

④ Due to wire space restrictions on the trough side, the left side of the interior is limited to a 60A max branch.

⑤ Aluminum enclosure.
⑥ Feed thru lugs included.