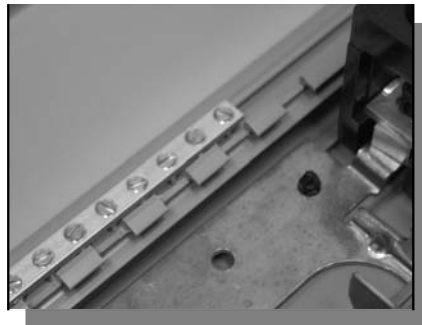


3-Phase Load Centers

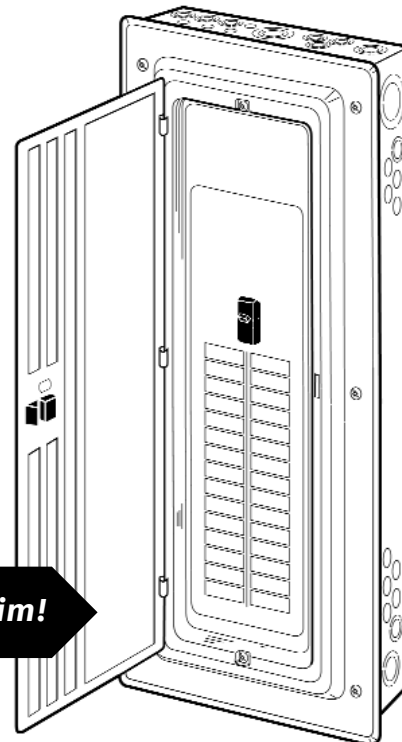
General Information

FEATURES

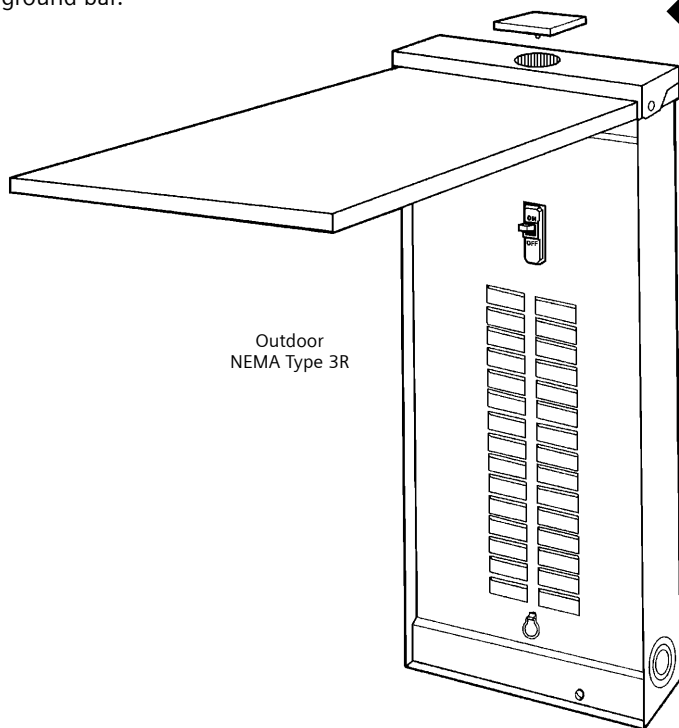
- UL Listed.
- Copper bus bars.
- Rigid trim with trim mounting tabs which free up both hands for driving trim screws.
- Circuit directory labels are included and can be applied next to branch breakers.
- Type MP-T circuit breakers from 60 to 100 amps can be installed as backfed main breakers using the ECMBR1 hold down kit.
- Type ET circuit breakers are not acceptable for use in Murray 3-phase load centers.
- Type MD-T circuit breakers are acceptable for use in load centers.
- The neutral tie strap can be removed, when replaced by the ECINTS kit, to make the left side neutral bar into a ground bar.



Positive Hook Rails



Indoor
NEMA Type 1



Outdoor
NEMA Type 3R

New Rigid Trim!

fastfax

MURRAY

3-Phase Load Centers

Main Breaker and Main Lug Catalog Numbers

Main Breaker Load Centers

24–42 Circuits / 100–225 Amperes

Branch Circuits			Indoor Enclosure – NEMA Type 1			Outdoor Enclosure – NEMA Type 3R		
Main Ampere Rating	Max. No. of 1-Pole		Copper Bus New ^① Catalog Number	Old Catalog Number	Enclosure Height (inches) ^②	Copper Bus New Catalog Number ^①	Old Catalog Number	Enclosure Height (inches) ^③
	Spaces	Circuits						
3 Phase, 4 Wire SN								
100	12	24	LC1224B3100CU	LP112DC	21	–	–	–
100	18	36	LC1836B3100CU	LP118DC	24	–	–	–
150	30	42	LC3042B3150CU	LP230EC	36	–	–	–
200	30	42	LC3042B3200CU	LP230PC	36	LW3042B3200CU	LZ230PR	37
200	42	42	LC4242B3200CU	LP242PC	42	–	–	–
225	42	42	LC4242B3225CU	LP242QC	42	–	–	–

Main Lug Load Centers ^⑤

24–42 Circuits / 125–225 Amperes

Branch Circuits			Indoor Enclosure – NEMA Type 1			Outdoor Enclosure – NEMA Type 3R		
Main Ampere Rating	Max. No. of 1-Pole		Copper Bus New ^① Catalog Number	Old Catalog Number	Enclosure Height (inches)	Copper Bus New ^① Catalog Number	Old Catalog Number	Enclosure Height (inches)
	Spaces	Circuits						
3 Phase, 4 Wire SN								
125	12	24	LC1224L3125CU	LP012DC	18	LW1224L3125CU	LW912DR	22
150	18	36	LC1836L3150CU ^⑥	LP018EC	24	LW1836L3150CU	LW918ER	25
150	24	42	LC2424L3150CU	LP024EC	30	–	–	–
200	18	36	LC1836L3200CU	LP018PC	30	–	–	–
200	30	42	LC3042L3200CU	LP030PC	36 ^④	LW3042L3200CU	LW930PR	34
225	42	42	LC4242L3225CU	LP042QC	39	–	–	–

① When a 22,000A and 42,000A IR main circuit breaker is required, add the suffix “-22” or “-42” respectively to the standard catalog number. This series listed change allows 10,000A IR branch breakers to be used in the load center.

② Indoor enclosures are 14-3/8” wide by 3-15/16” deep.

③ Outdoor enclosures are 14-1/4” wide by 3-15/16” deep.

④ These catalog numbers were previously in 33” enclosures prior to the introduction of the new trim.

⑤ Suitable for use as service entrance equipment when a main breaker (100A max.) is backfed in a branch position, and used with main breaker retainer clip MBR1.

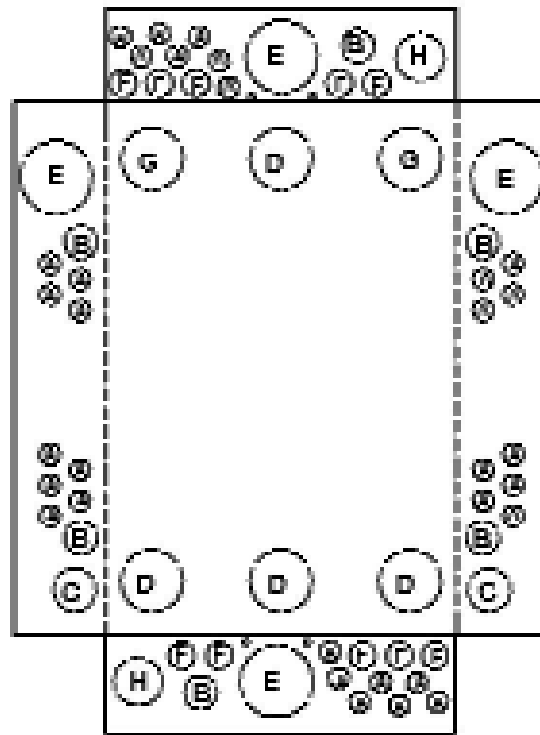
⑥ Suitable for use as service entrance equipment when a main breaker (100A max.) is backfed

⑦ Factory installed 100% neutral with factory bonded 100% ground. No neutral tie strap.

⑧ Comes with feed-thru lugs.

3-Phase Load Centers

Knockout Diagram



- A = 1/2"
- B = 1/2", 3/4", 1"
- C = 3/4", 1", 1-1/4"
- D = 1-1/4", 1-1/2", 2"
- E = 1-1/4", 1-1/2", 2", 2-1/2"
- F = 1/2", 3/4"
- G = 1", 1-1/4", 1-1/2", 2"
- H = 1/2", 3/4", 1", 1-1/4", 1-1/2"

Indoor Knockout Diagram